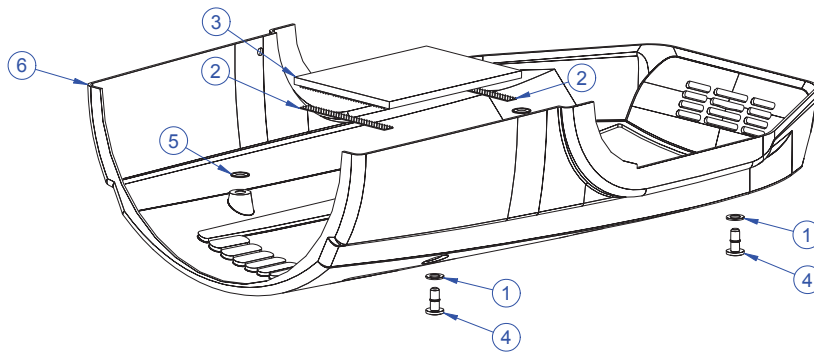
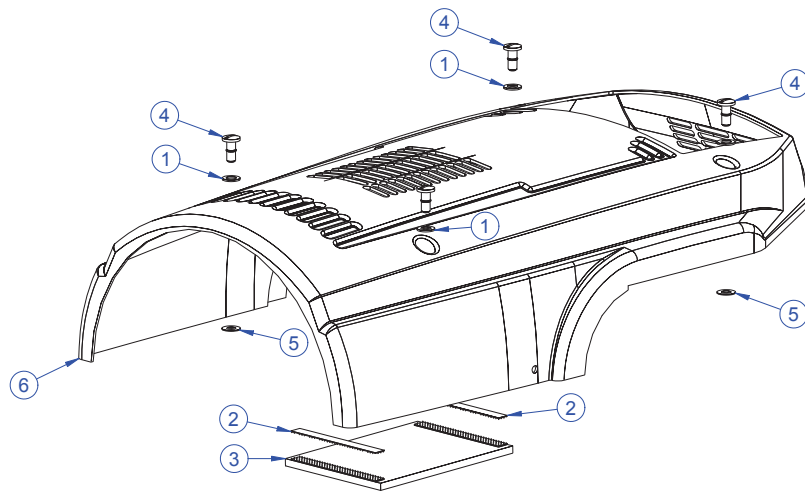
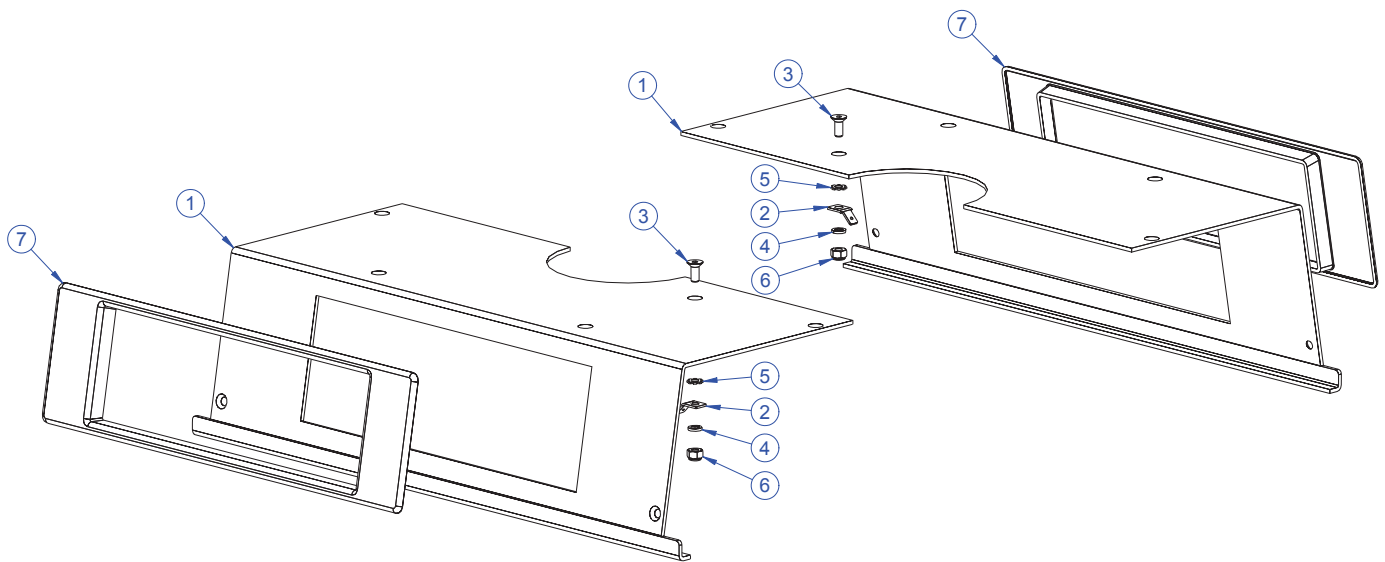


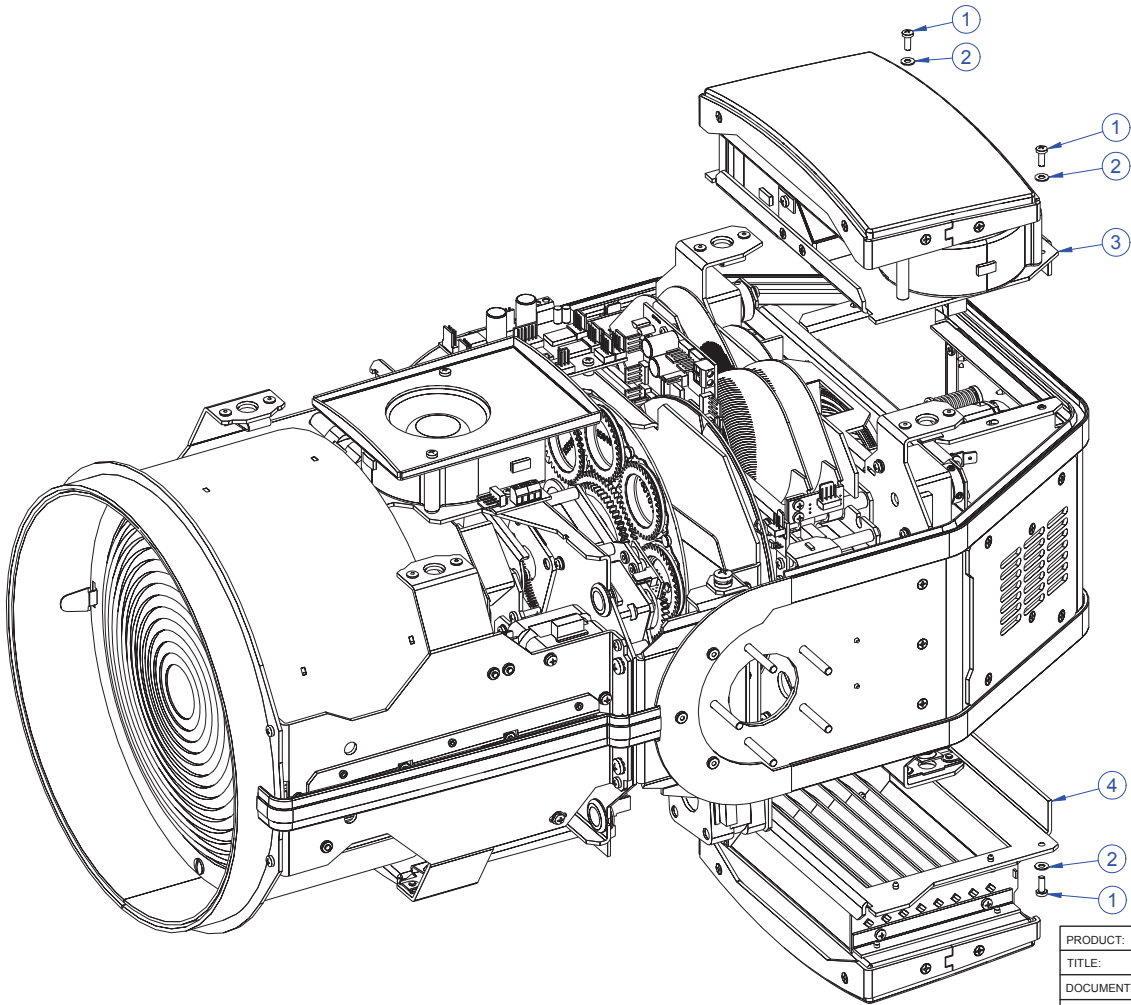
PRODUCT: Robin MMX WashBeam		
TITLE: Covers		
DOCUMENT: 99013761		
VERSION: 1	DATE: 11.02.2013	SHEET: 01 OF 44



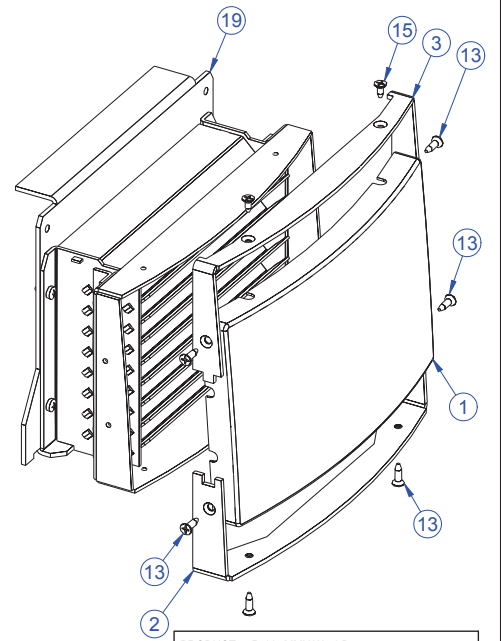
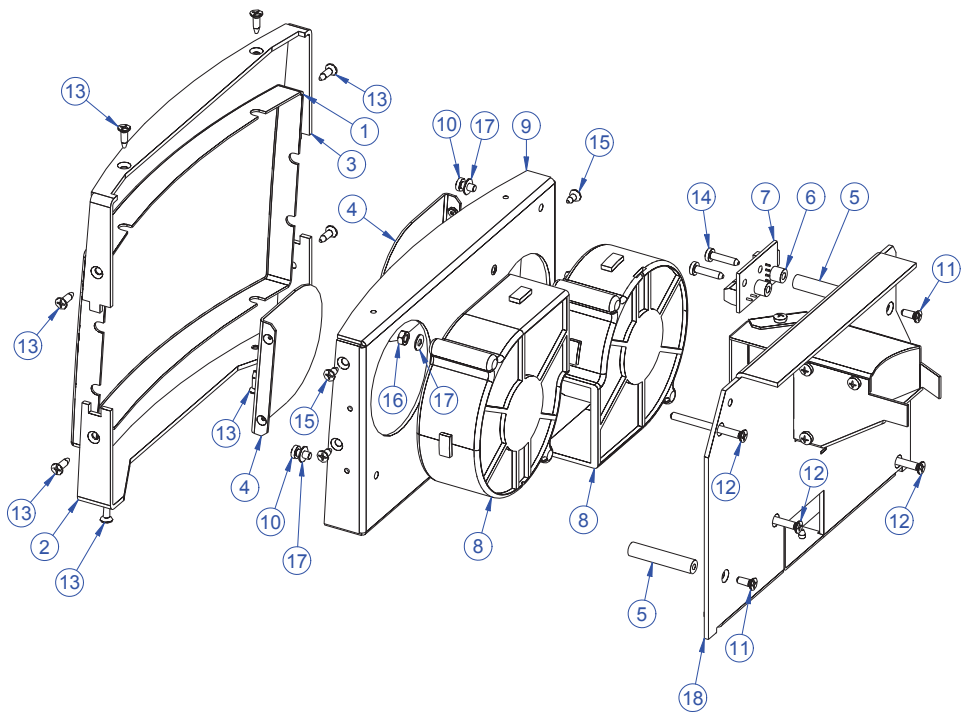
PRODUCT: Robin MMX WashBeam		
TITLE: Covers of head		
DOCUMENT: 99013761		
VERSION: 1	DATE: 11.02.2013	SHEET: 02 OF 44



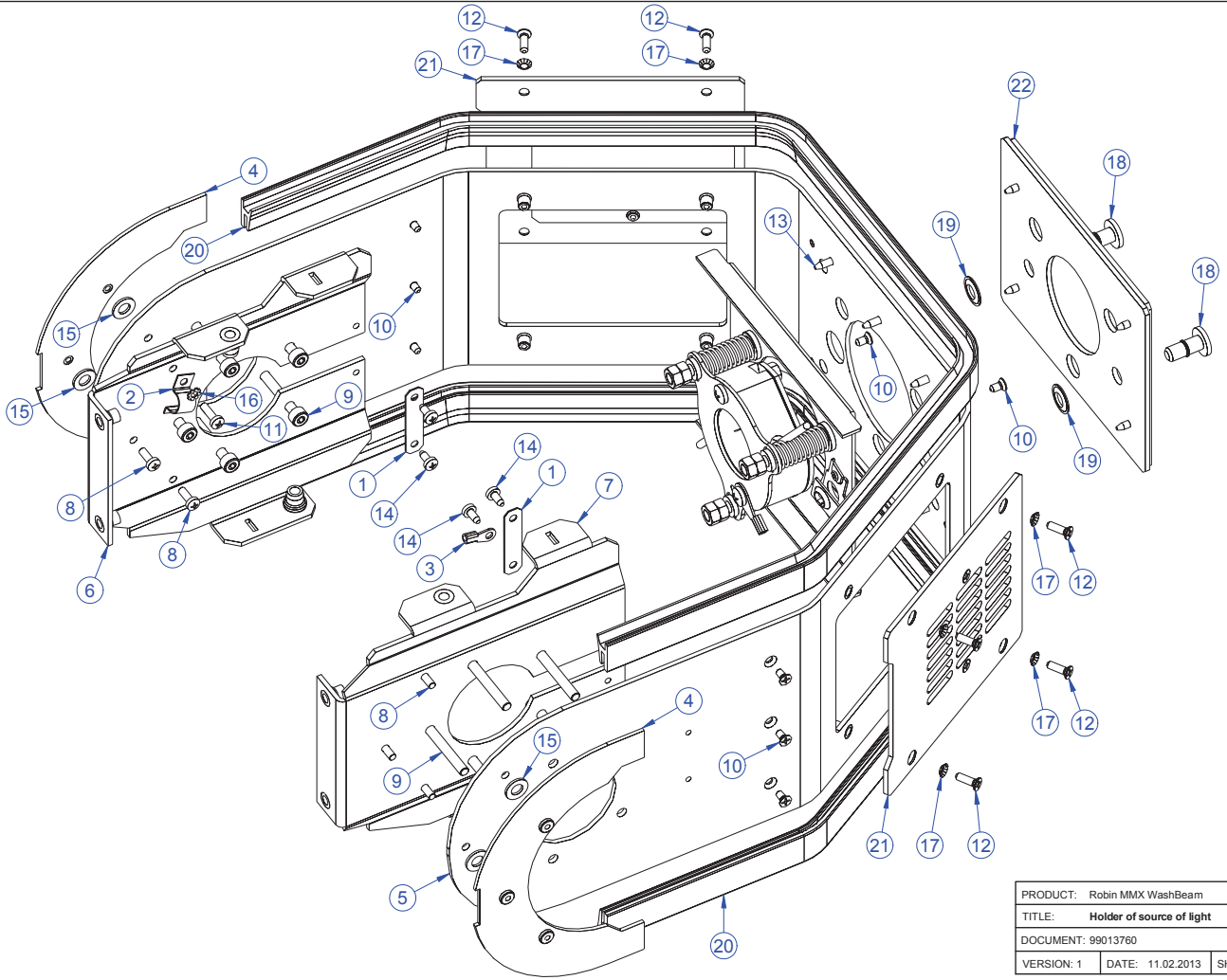
PRODUCT: Robin MMX WashBeam		
TITLE: Covers of base		
DOCUMENT: 99013725		
VERSION: 1	DATE: 11.02.2013	SHEET: 03 OF 44



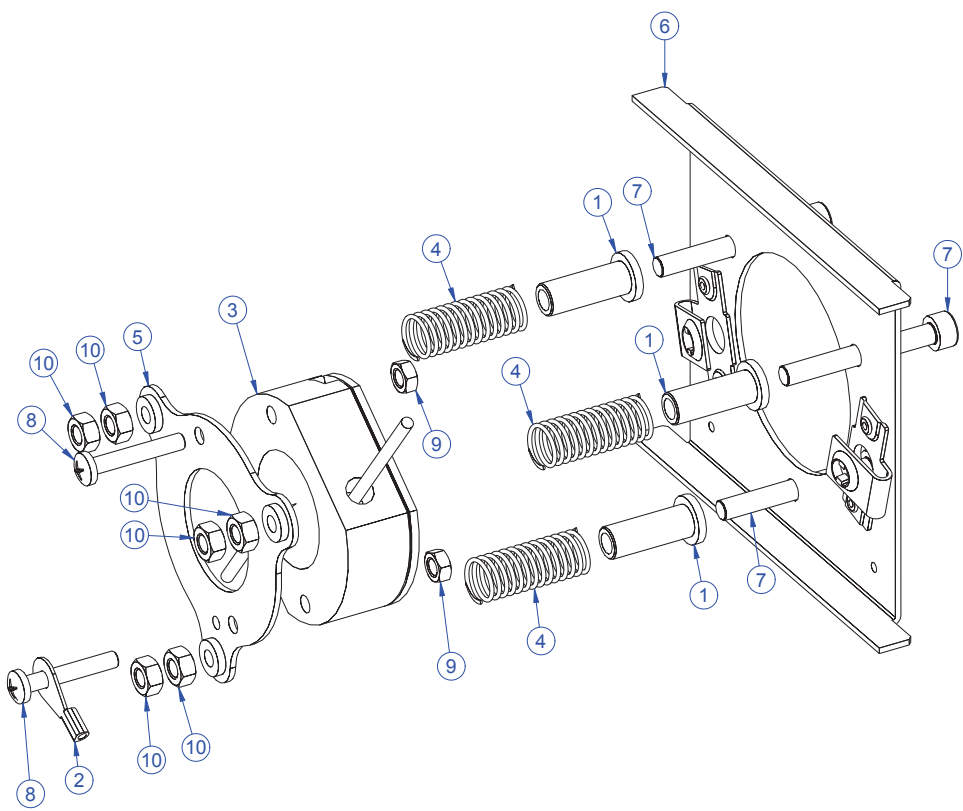
PRODUCT: Robin MMX WashBeam		
TITLE: Assembly of head		
DOCUMENT: 99013760		
VERSION: 1	DATE: 11.02.2013	SHEET: 04 OF 44



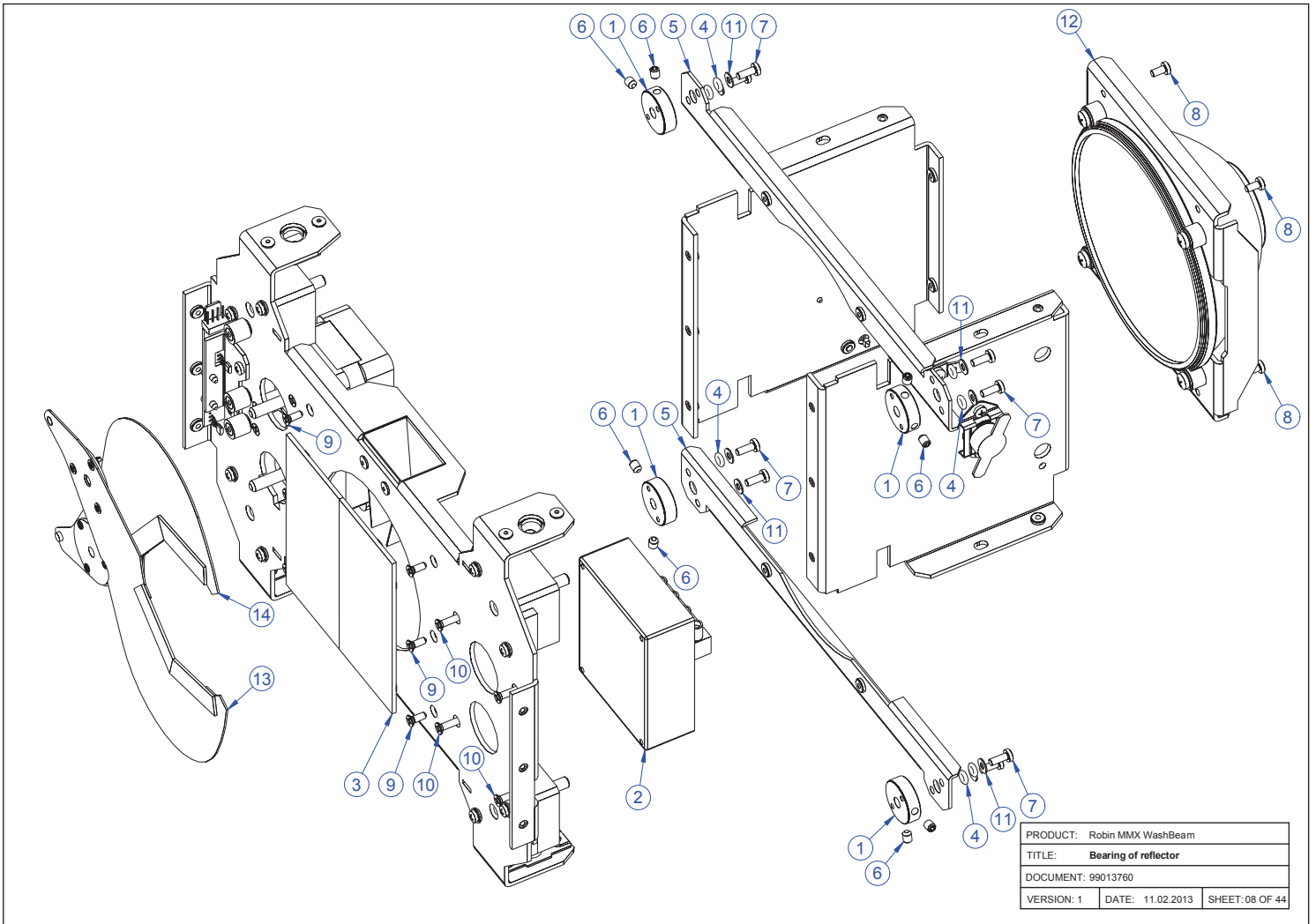
PRODUCT: Robin MMX WashBeam		
TITLE: Cooling modules - exploded		
DOCUMENT: 99013295		
VERSION: 1	DATE: 11.02.2013	SHEET: 05 OF 44



PRODUCT: Robin MMX WashBeam		
TITLE: Holder of source of light		
DOCUMENT: 99013760		
VERSION: 1	DATE: 11.02.2013	SHEET: 06 OF 44

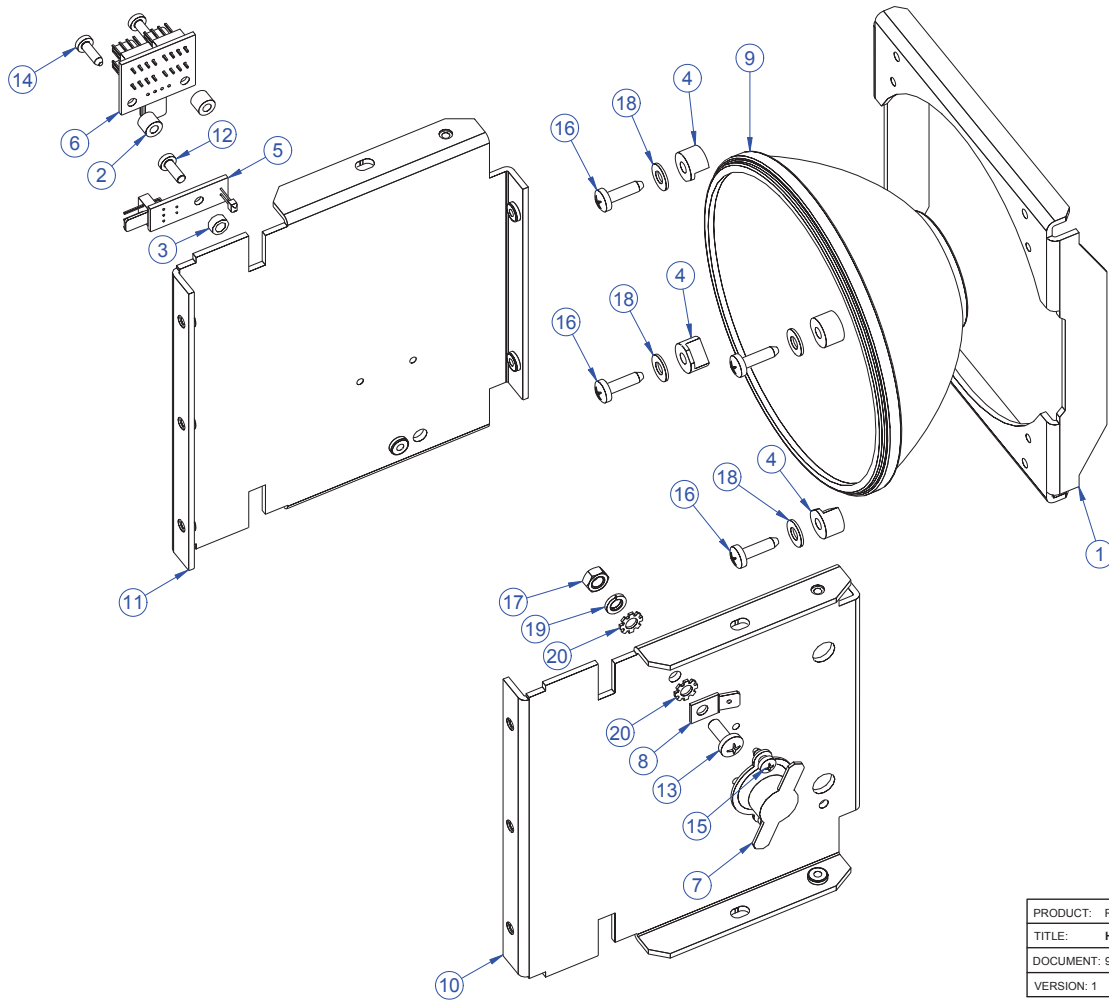


PRODUCT: Robin MMX WashBeam		
TITLE: Source of light - exploded		
DOCUMENT: 99013246		
VERSION: 1	DATE: 11.02.2013	SHEET: 07 OF 44

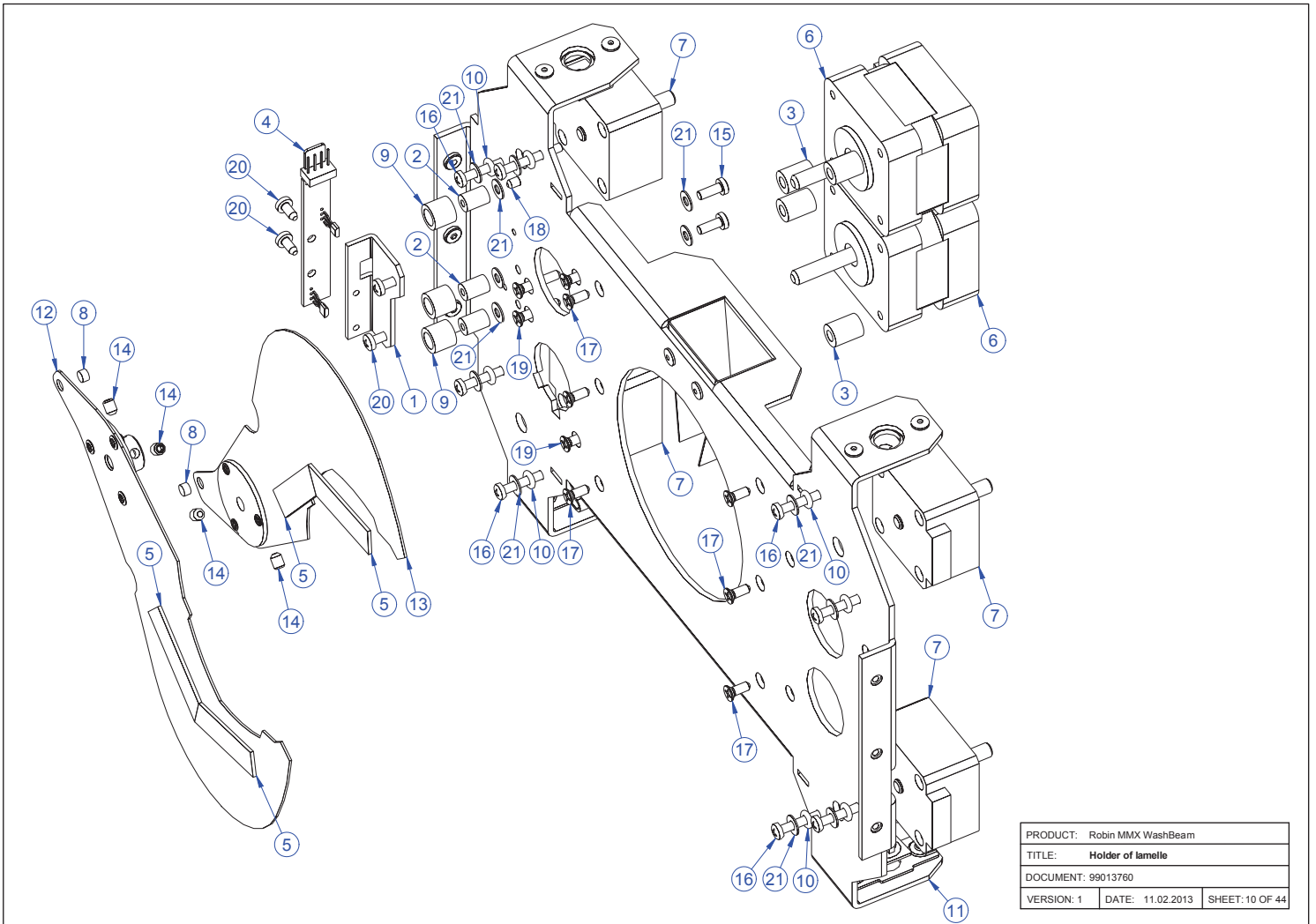


PRODUCT: Robin MMX WashBeam		
TITLE: Bearing of reflector		
DOCUMENT: 99013760		
VERSION: 1	DATE: 11.02.2013	SHEET: 08 OF 44

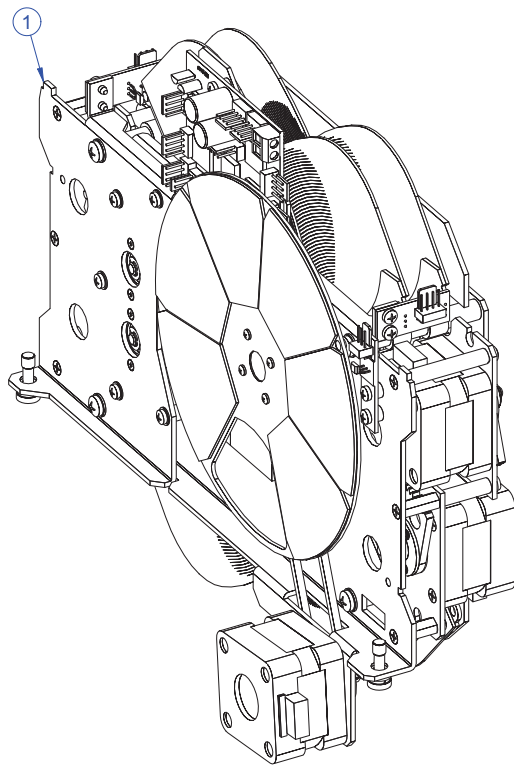




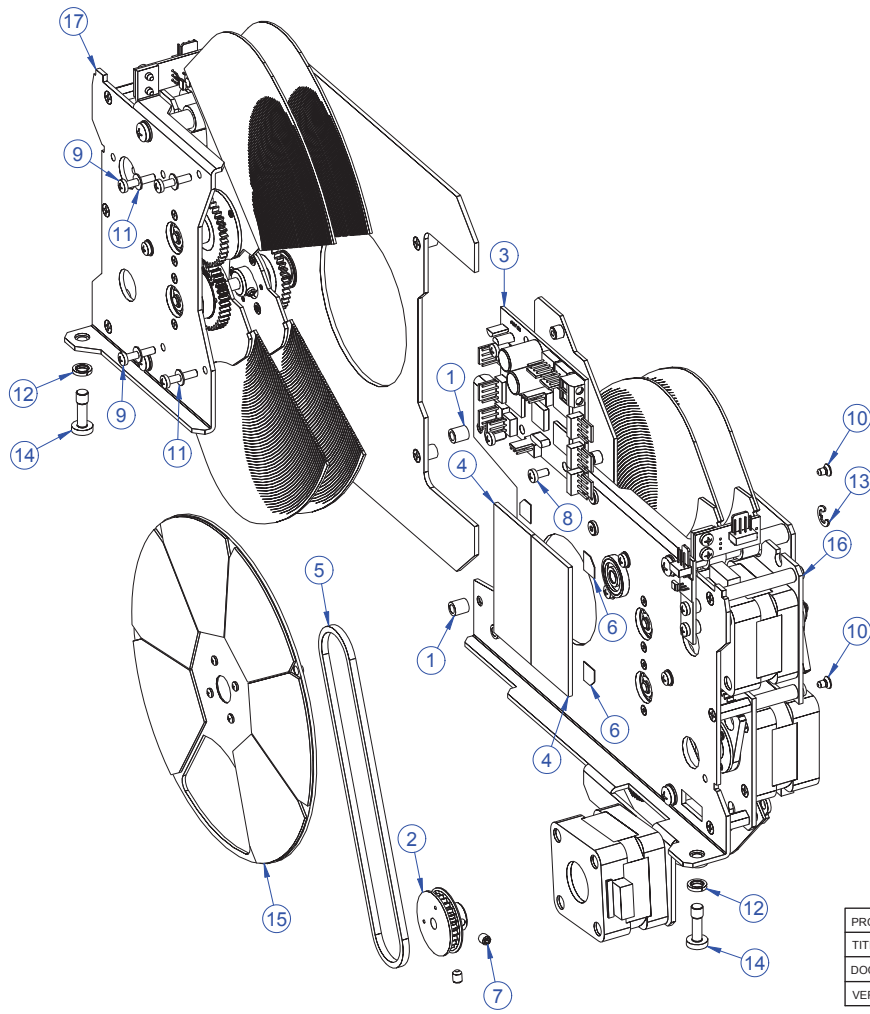
PRODUCT: Robin MMX WashBeam		
TITLE: Holder of reflector - exploded		
DOCUMENT: 99013295		
VERSION: 1	DATE: 11.02.2013	SHEET: 09 OF 44



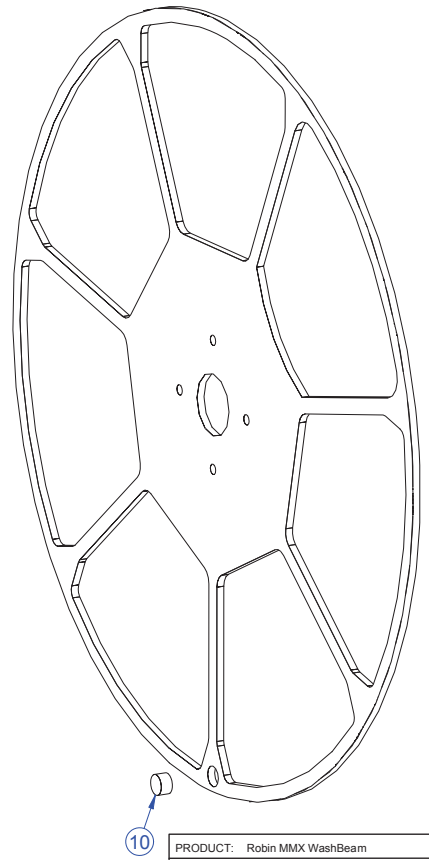
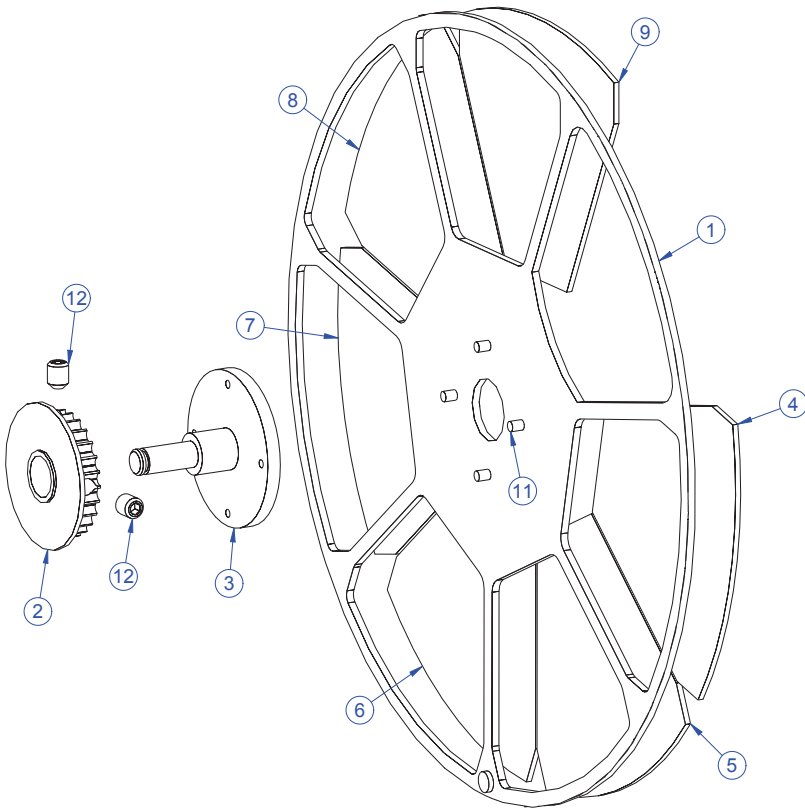
PRODUCT: Robin MMX WashBeam		
TITLE: Holder of lamelle		
DOCUMENT: 99013760		
VERSION: 1	DATE: 11.02.2013	SHEET: 10 OF 44



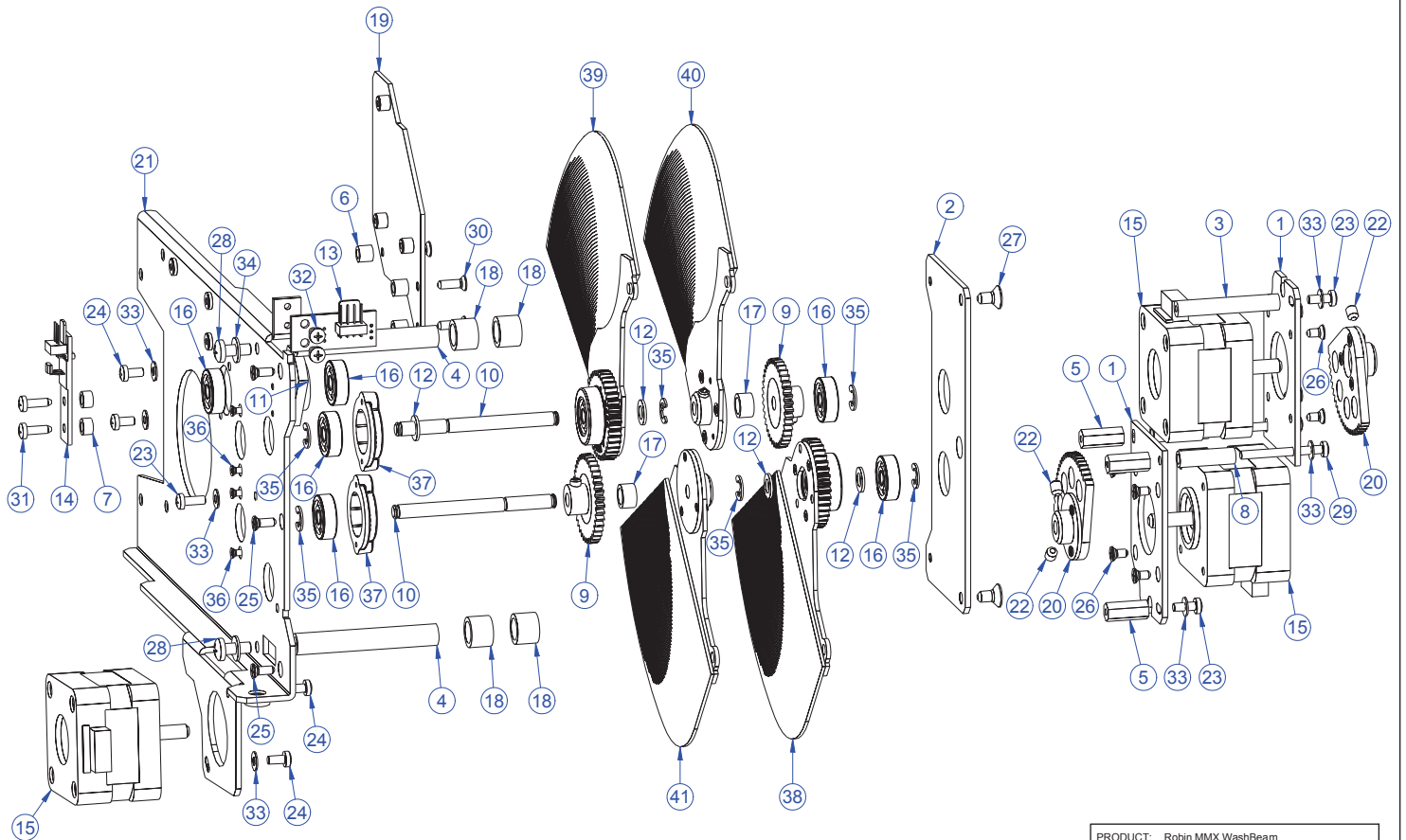
PRODUCT: Robin MMX WashBeam		
TITLE: CMY mixing system for Robin MMX WB		
DOCUMENT: 99013760		
VERSION: 1	DATE: 11.02.2013	SHEET: 11 OF 44



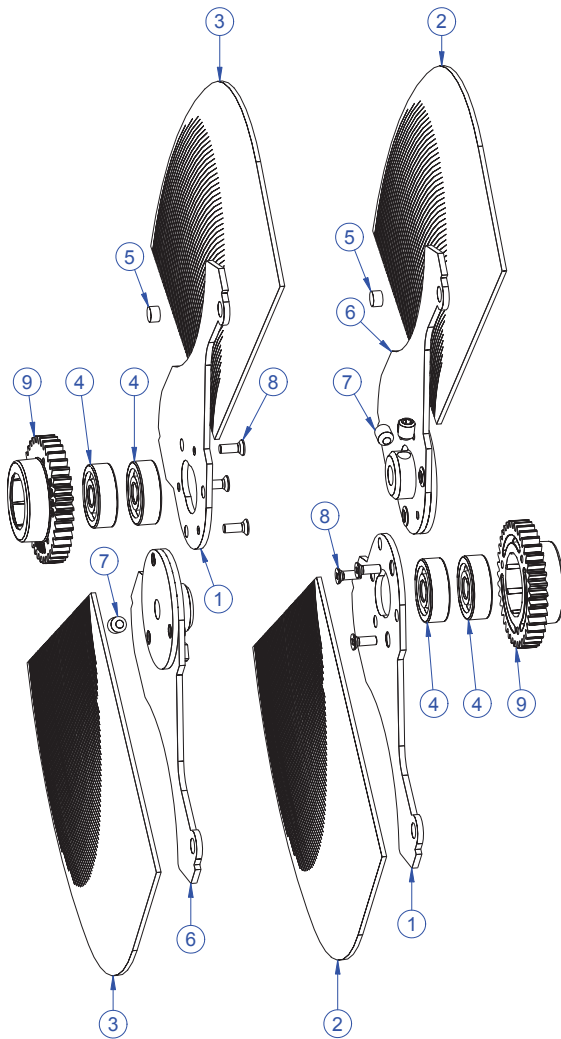
PRODUCT: Robin MMX WashBeam		
TITLE: CMX mixing system - exploded		
DOCUMENT: 99013625		
VERSION: 1	DATE: 11.02.2013	SHEET: 12 OF 44



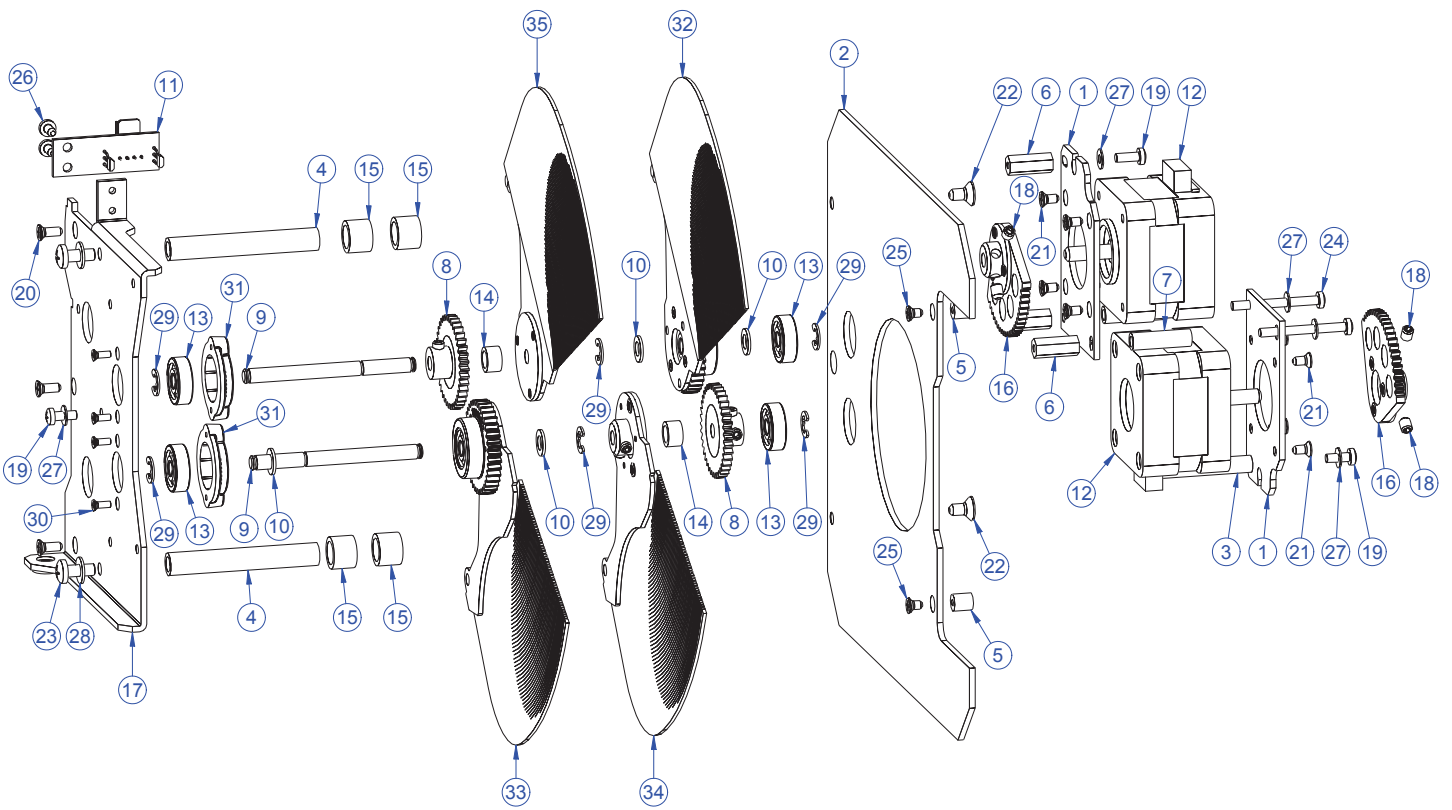
PRODUCT: Robin MMX WashBeam		
TITLE: Wheel Color 6+1 assembled		
DOCUMENT: 99013283		
VERSION: 1	DATE: 11.02.2013	SHEET: 13 OF 44



PRODUCT: Robin MMX WashBeam		
TITLE: Colouring module A		
DOCUMENT: 99013625		
VERSION: 1	DATE: 11.02.2013	SHEET: 14 OF 44

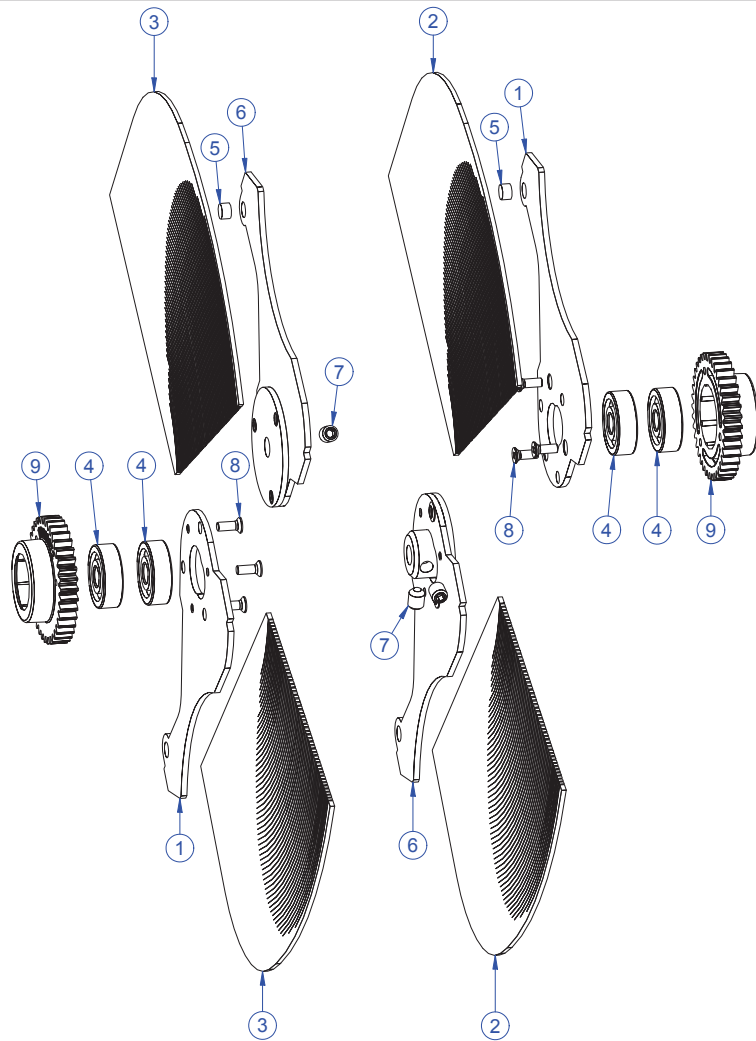


PRODUCT: Robin MMX WashBeam		
TITLE: Lamelle colouring A		
DOCUMENT: 99013625		
VERSION: 1	DATE: 11.02.2013	SHEET: 15 OF 44

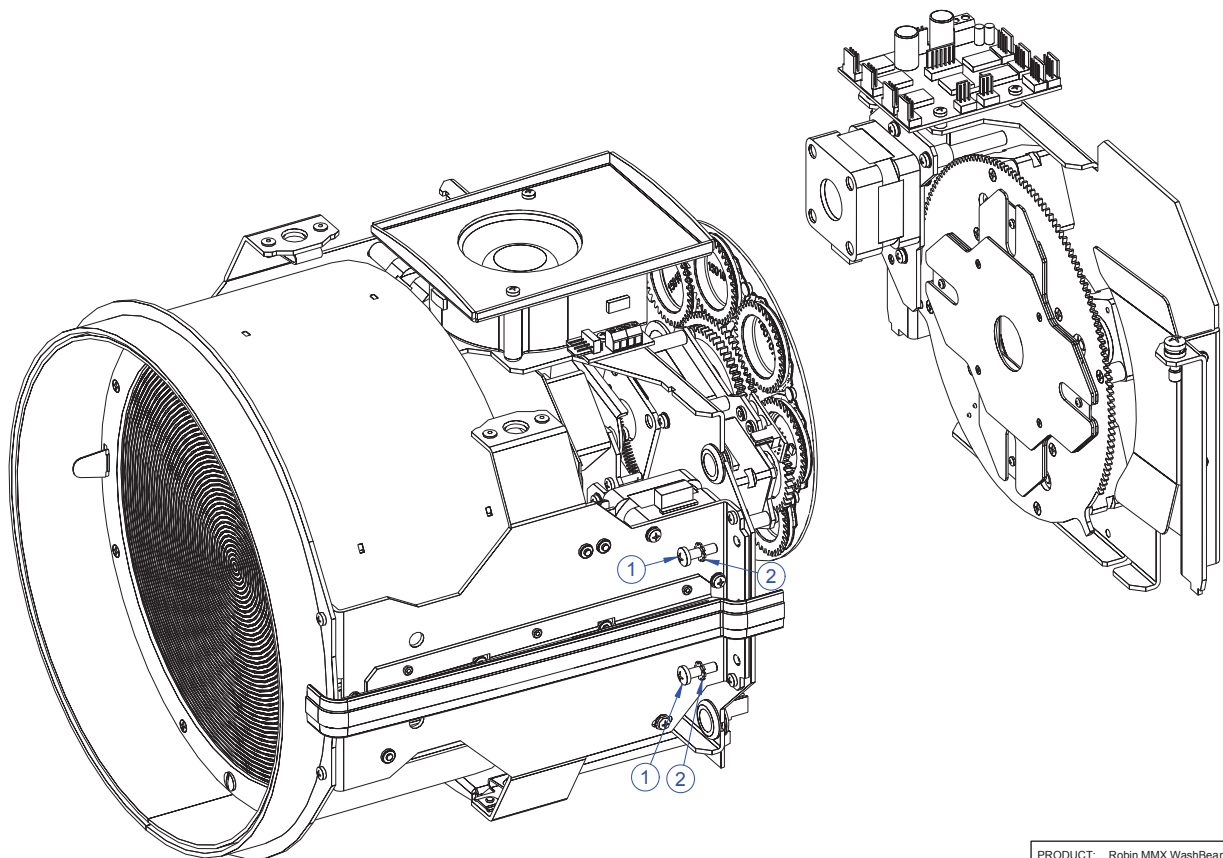


PRODUCT: Robin MMX WashBeam		
TITLE: Colouring module B		
DOCUMENT: 99013625		
VERSION: 1	DATE: 11.02.2013	SHEET: 16 OF 44

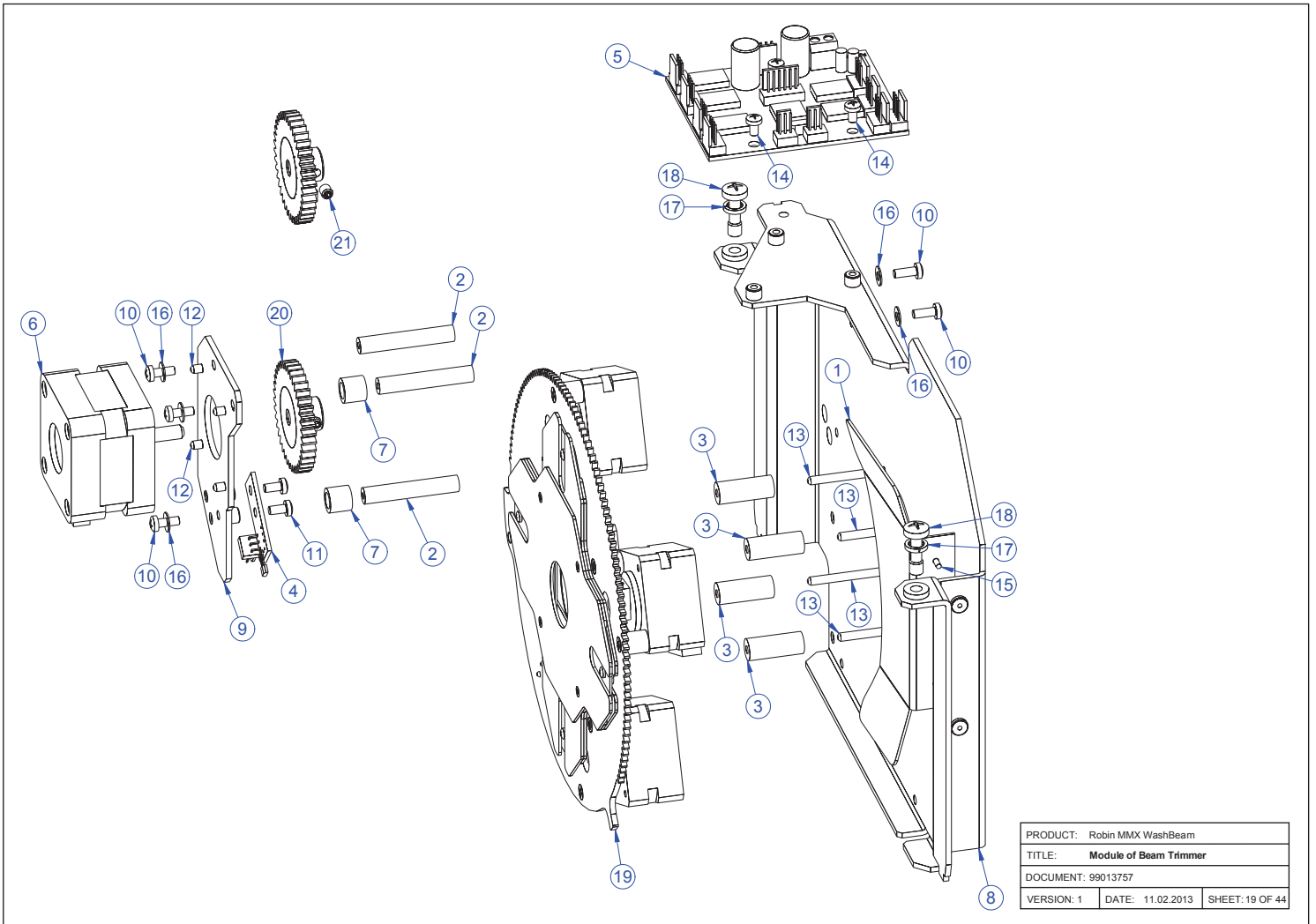




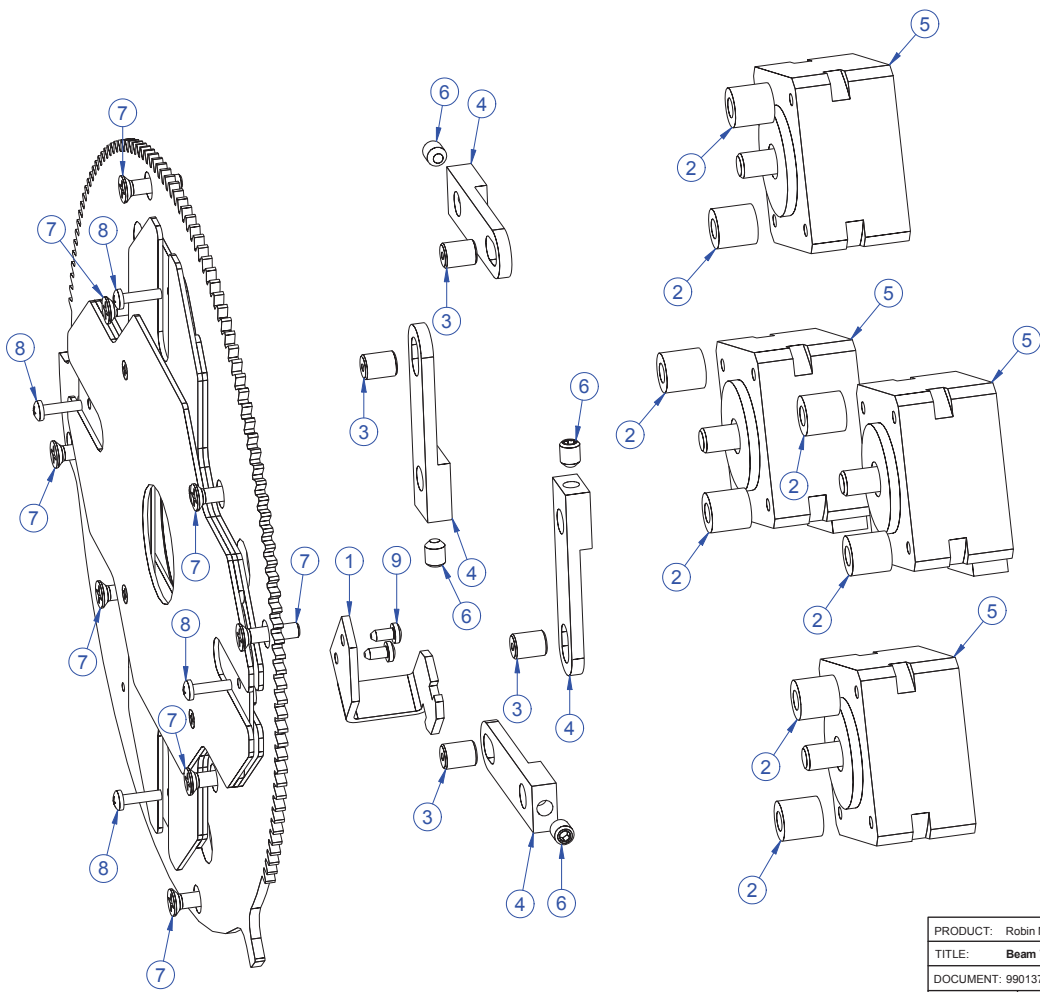
PRODUCT: Robin MMX WashBeam		
TITLE: Lamelle colouring B		
DOCUMENT: 99013625		
VERSION: 1	DATE: 11.02.2013	SHEET: 17 OF 44



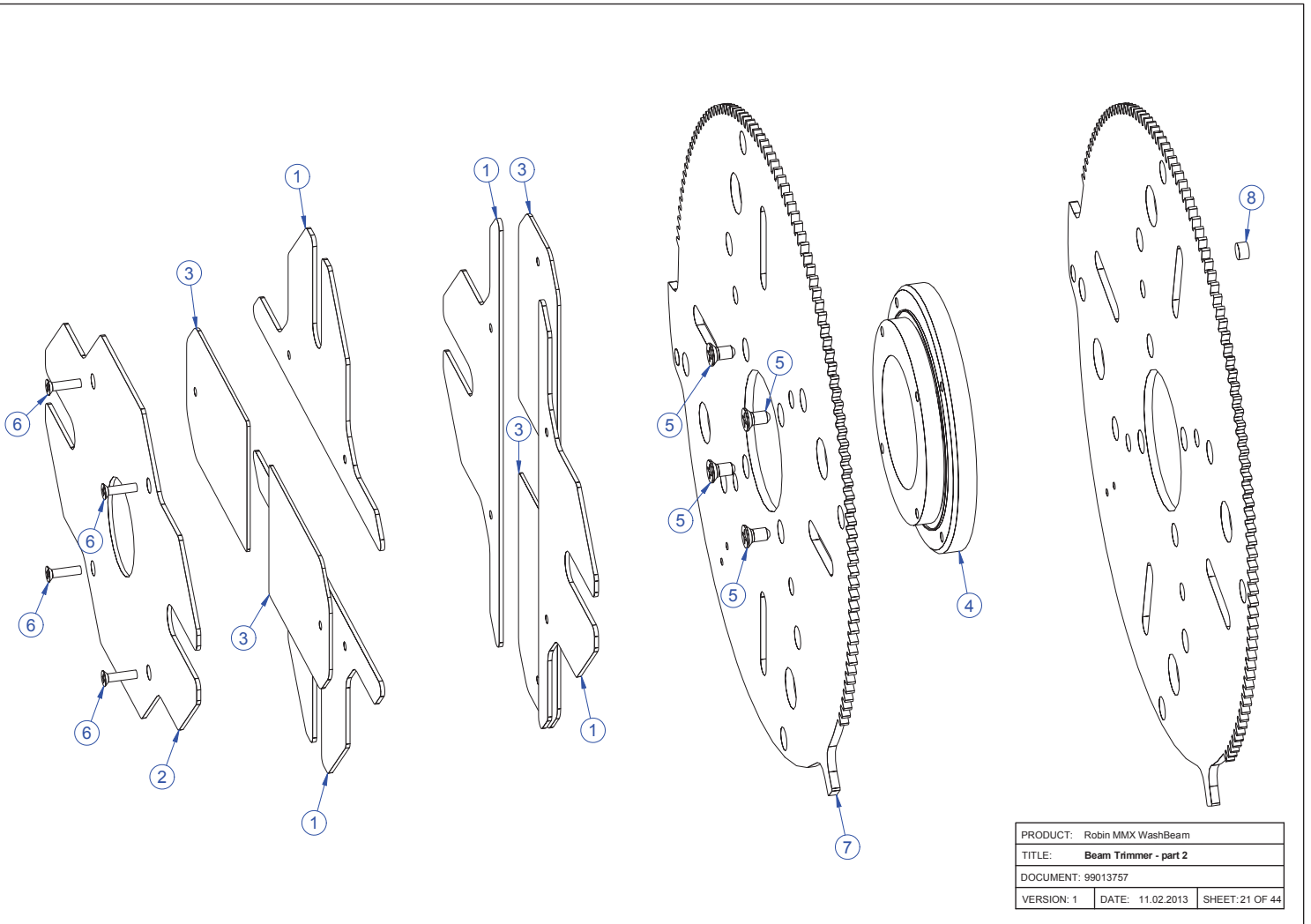
PRODUCT: Robin MMX WashBeam		
TITLE: Front module of head		
DOCUMENT: 99013760		
VERSION: 1	DATE: 11.02.2013	SHEET: 18 OF 44



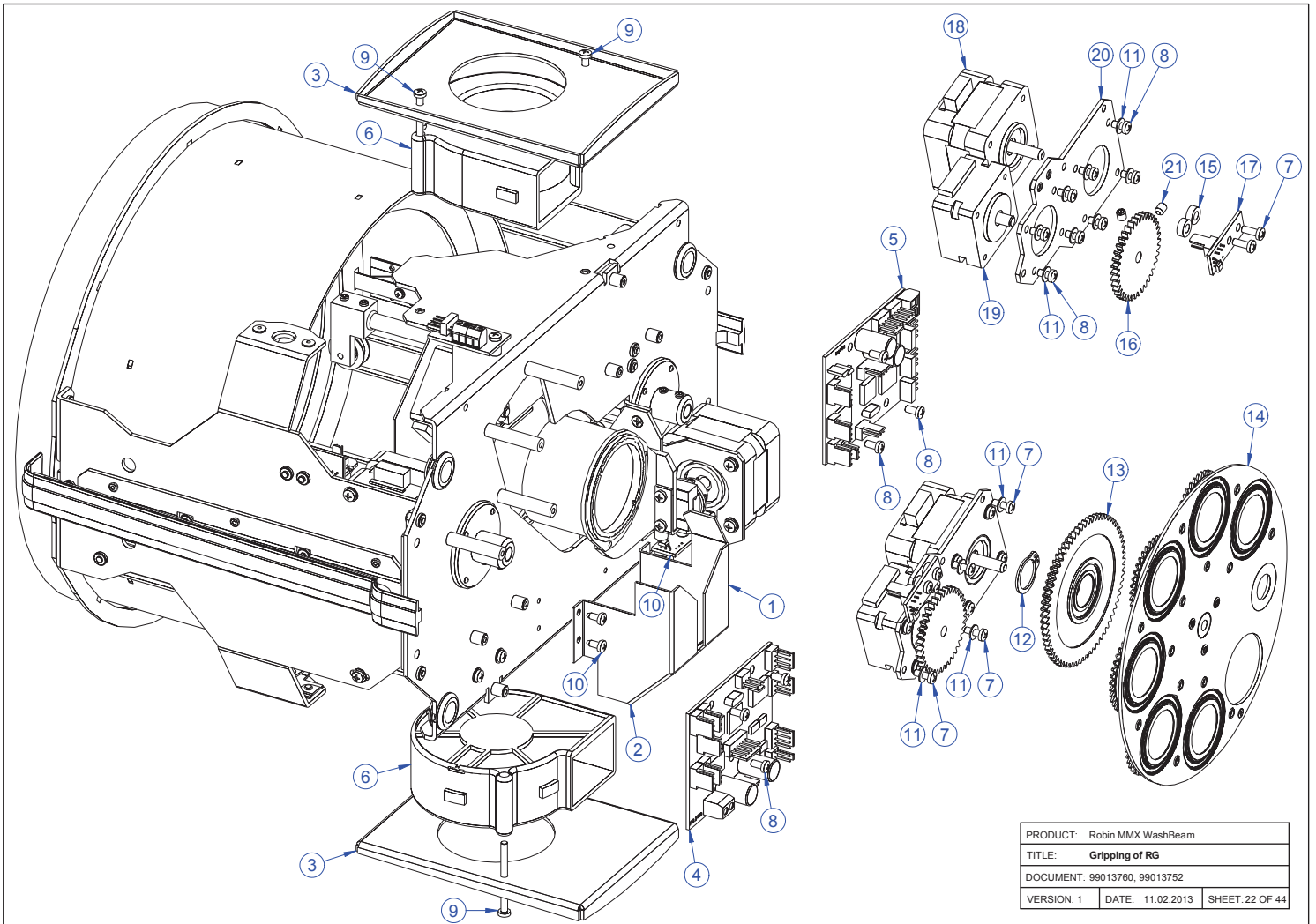
PRODUCT: Robin MMX WashBeam		
TITLE: Module of Beam Trimmer		
DOCUMENT: 99013757		
VERSION: 1	DATE: 11.02.2013	SHEET: 19 OF 44



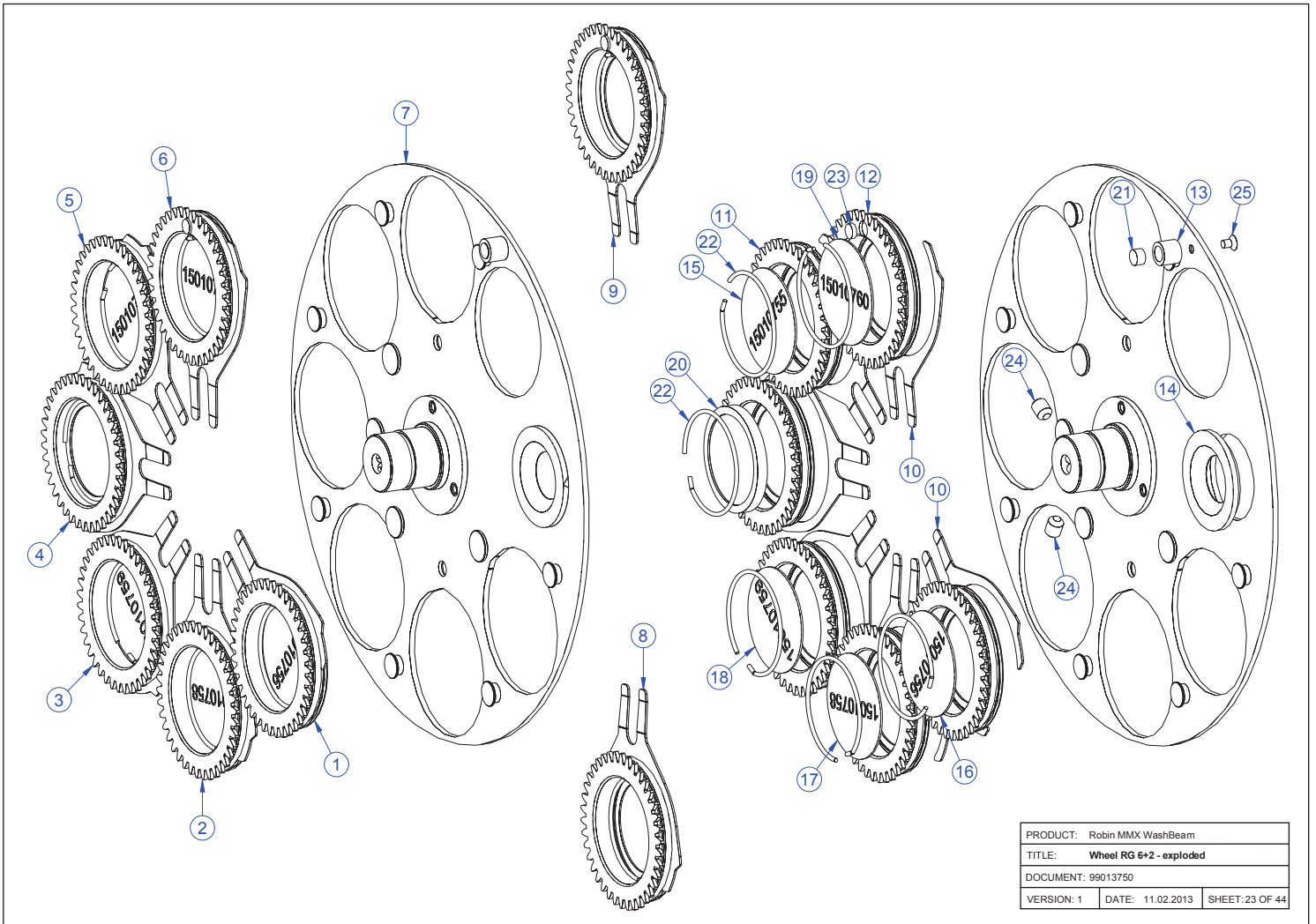
PRODUCT: Robin MMX WashBeam		
TITLE: Beam Trimmer - part 1		
DOCUMENT: 99013757		
VERSION: 1	DATE: 11.02.2013	SHEET: 20 OF 44



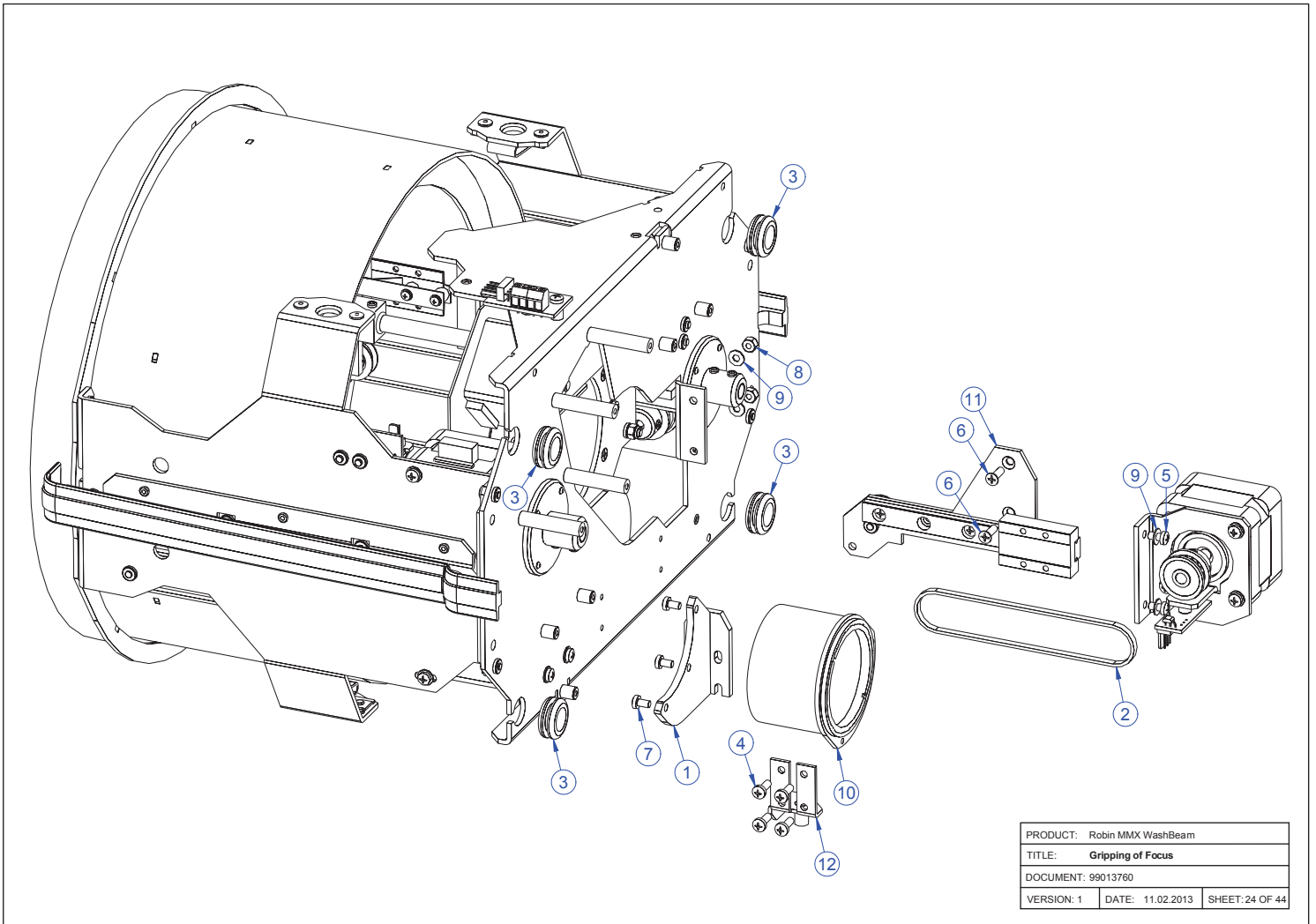
PRODUCT: Robin MMX WashBeam		
TITLE: Beam Trimmer - part 2		
DOCUMENT: 99013757		
VERSION: 1	DATE: 11.02.2013	SHEET: 21 OF 44



PRODUCT: Robin MMX WashBeam		
TITLE: Gripping of RG		
DOCUMENT: 99013760, 99013752		
VERSION: 1	DATE: 11.02.2013	SHEET: 22 OF 44

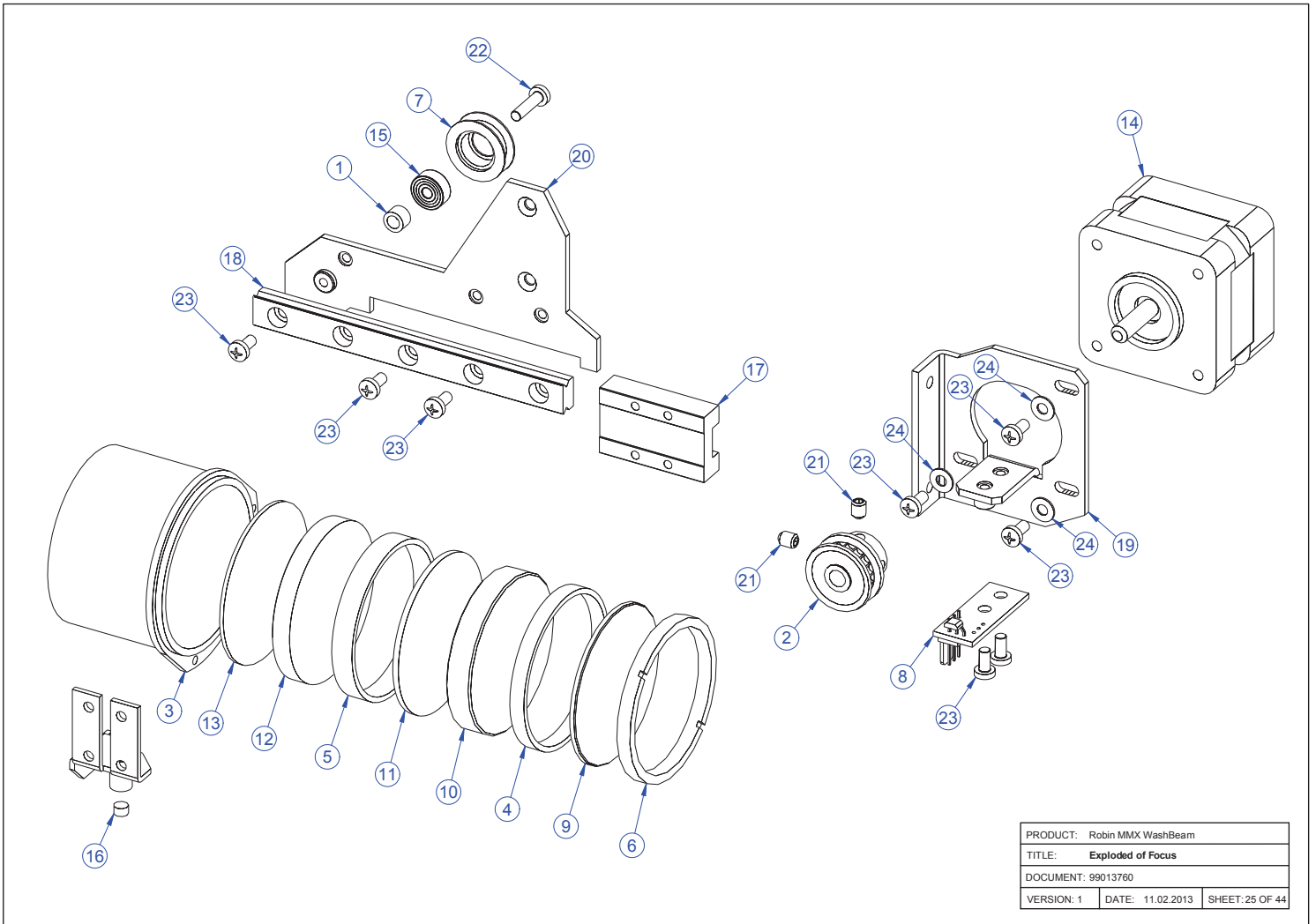


PRODUCT: Robin MMX WashBeam		
TITLE: Wheel RG 6+2 - exploded		
DOCUMENT: 99013750		
VERSION: 1	DATE: 11.02.2013	SHEET: 23 OF 44

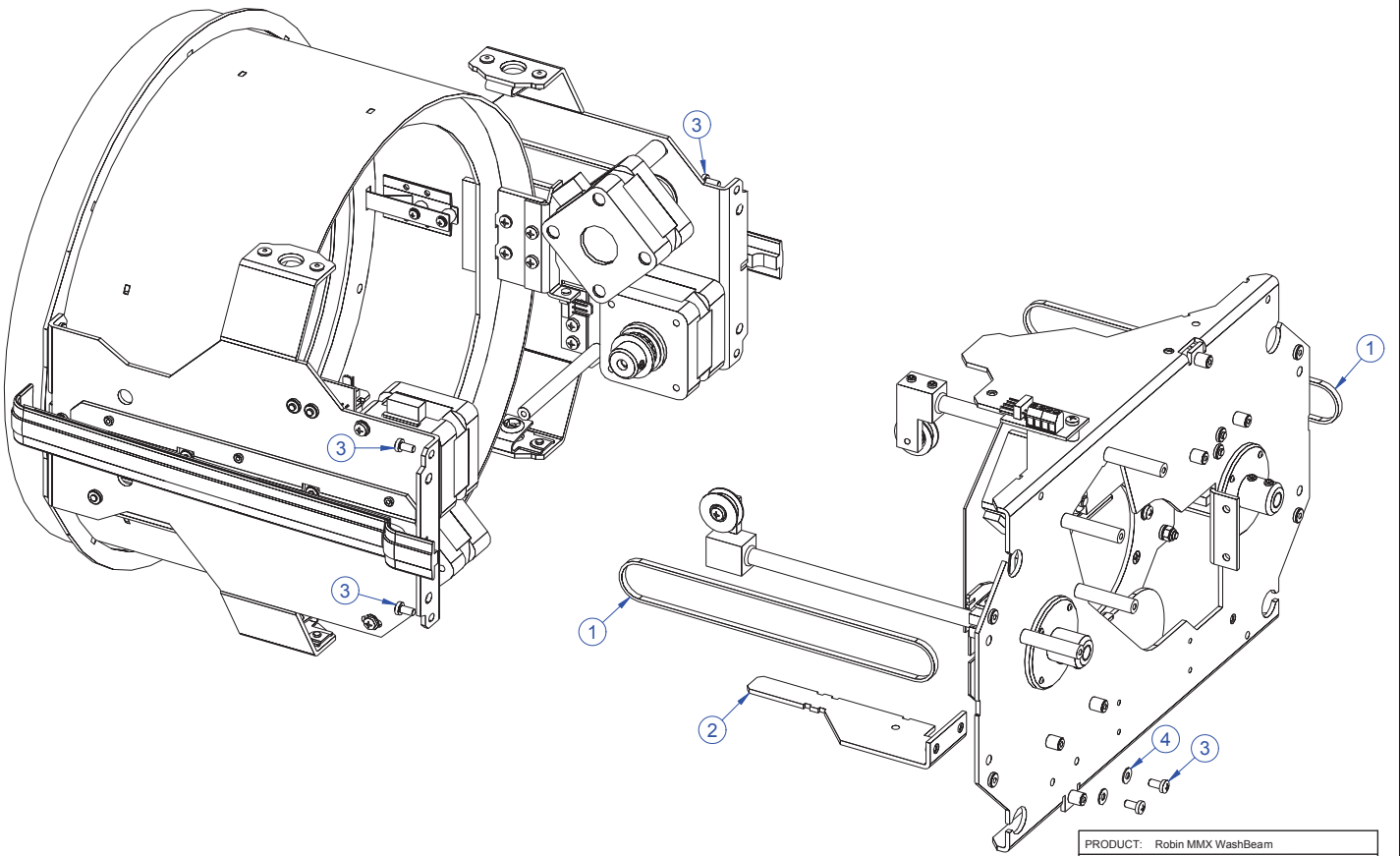


PRODUCT: Robin MMX WashBeam		
TITLE: Gripping of Focus		
DOCUMENT: 99013760		
VERSION: 1	DATE: 11.02.2013	SHEET: 24 OF 44

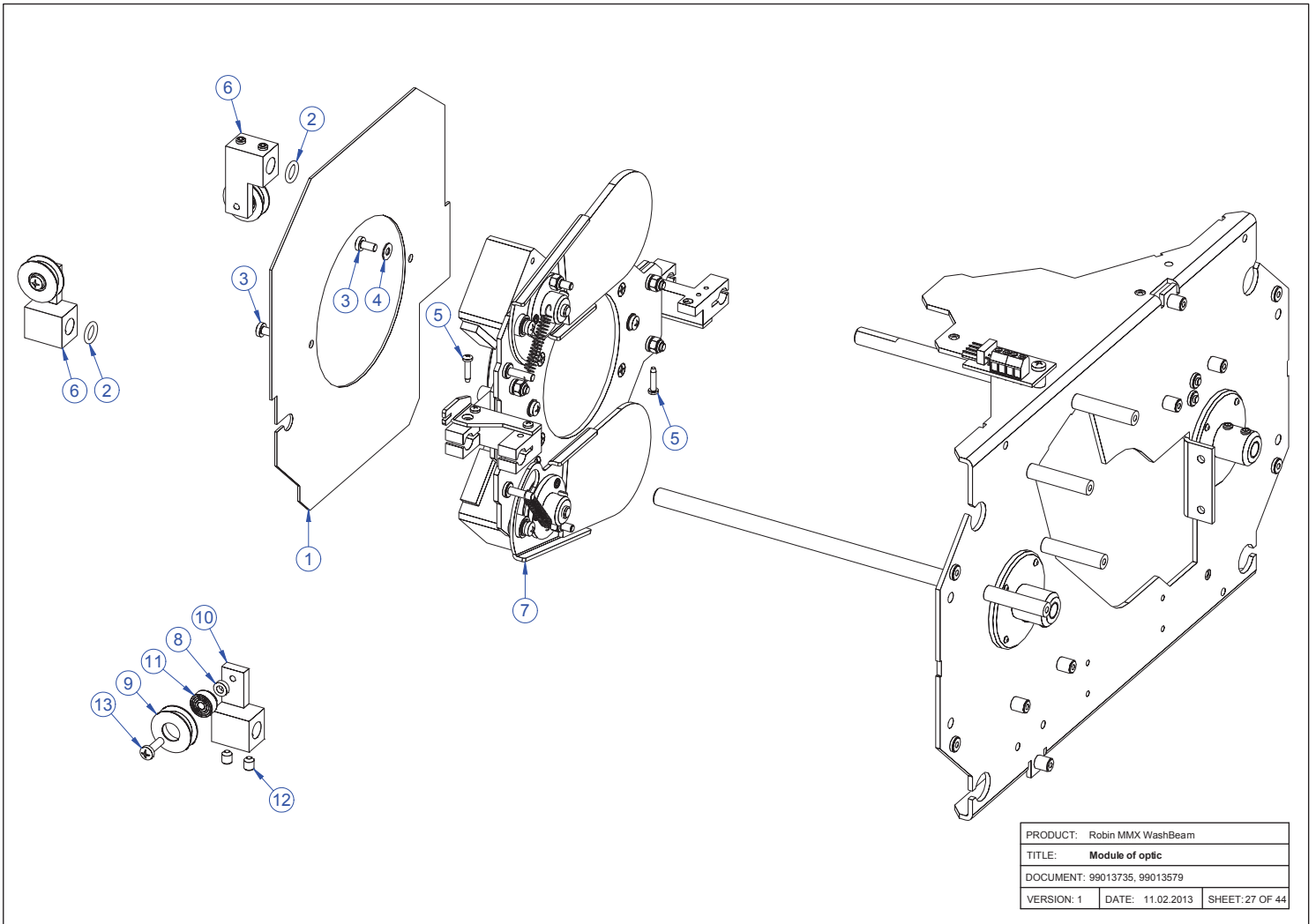




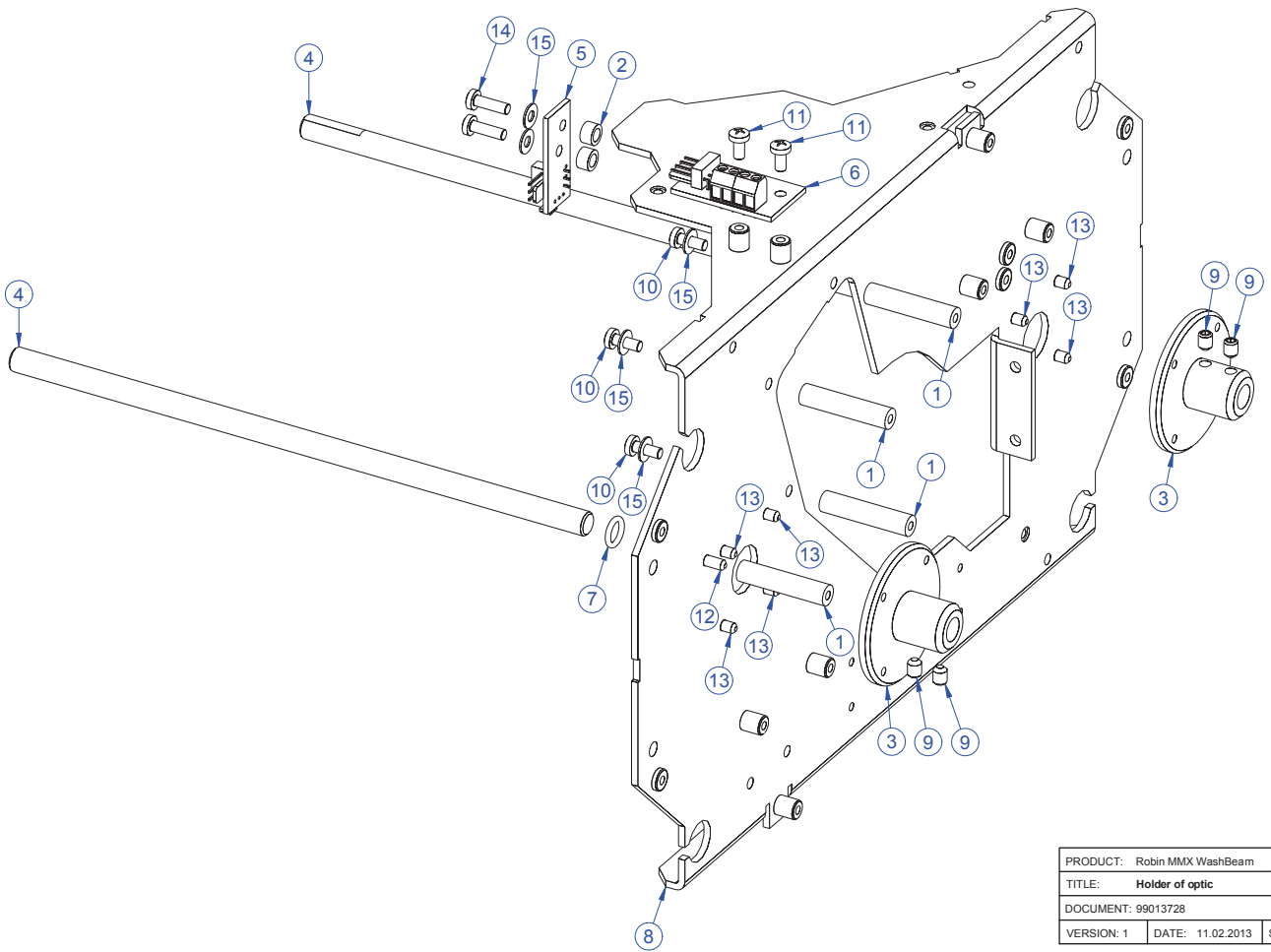
PRODUCT: Robin MMX WashBeam		
TITLE: Exploded of Focus		
DOCUMENT: 99013760		
VERSION: 1	DATE: 11.02.2013	SHEET: 25 OF 44



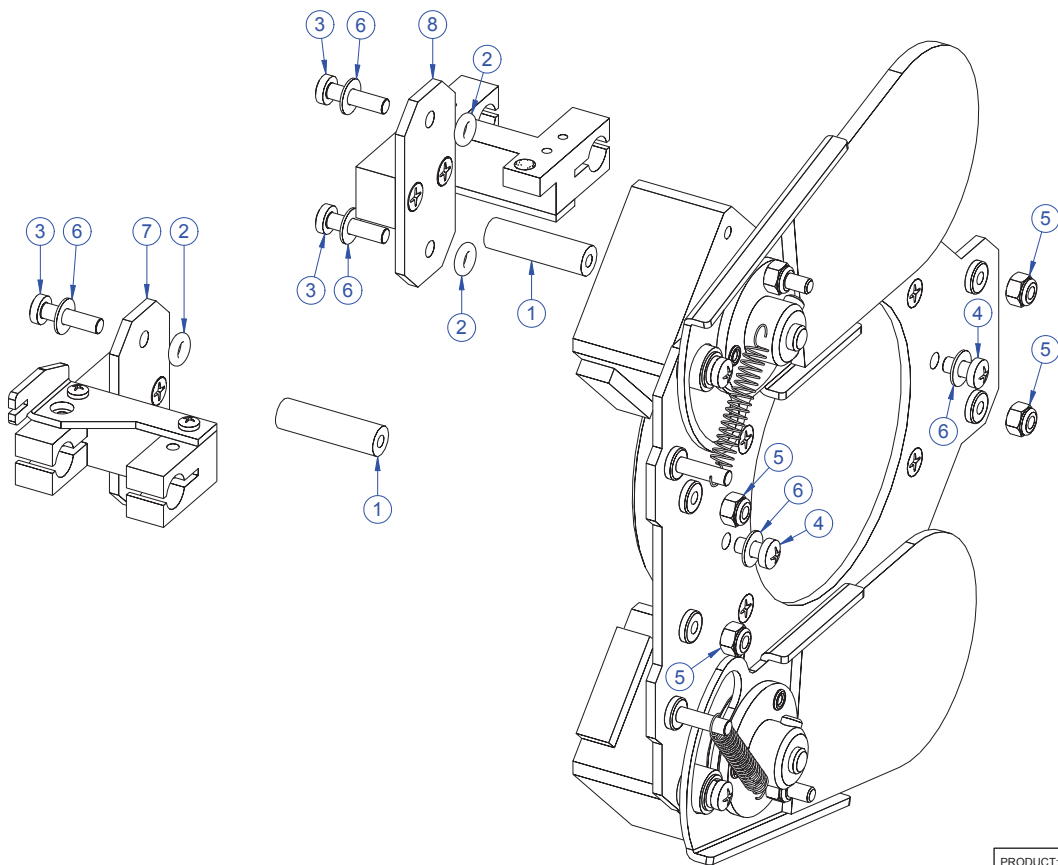
PRODUCT: Robin MMX WashBeam		
TITLE: Gripping of module optic		
DOCUMENT: 99013760		
VERSION: 1	DATE: 11.02.2013	SHEET: 26 OF 44



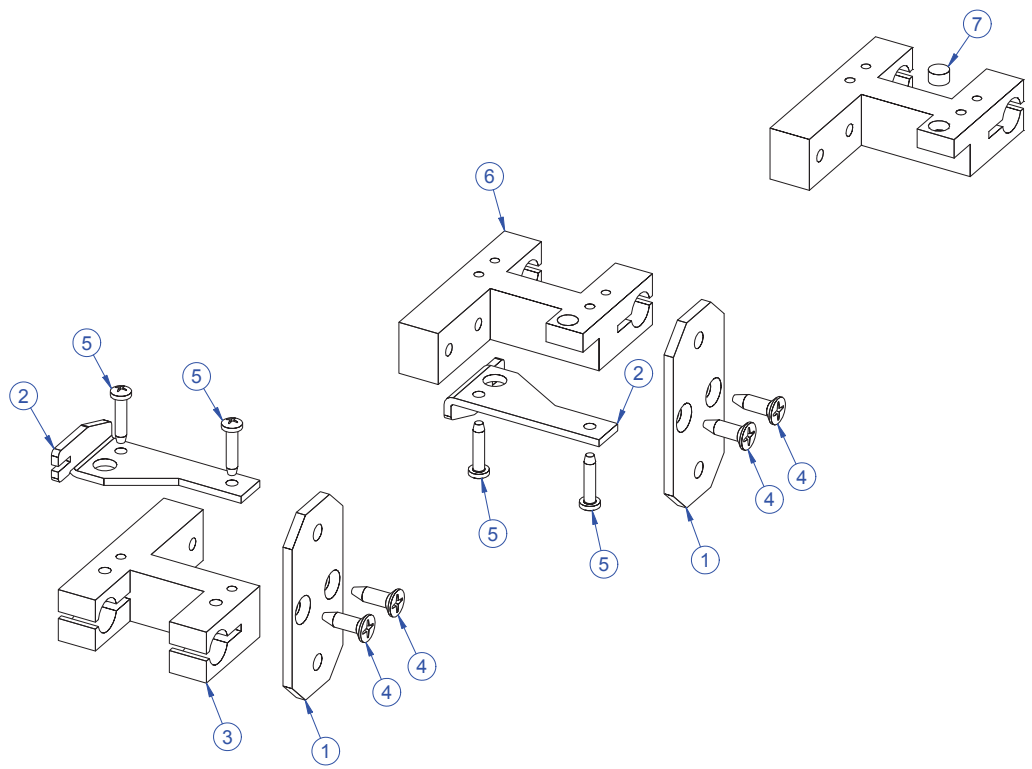
PRODUCT: Robin MMX WashBeam		
TITLE: Module of optic		
DOCUMENT: 99013735, 99013579		
VERSION: 1	DATE: 11.02.2013	SHEET: 27 OF 44



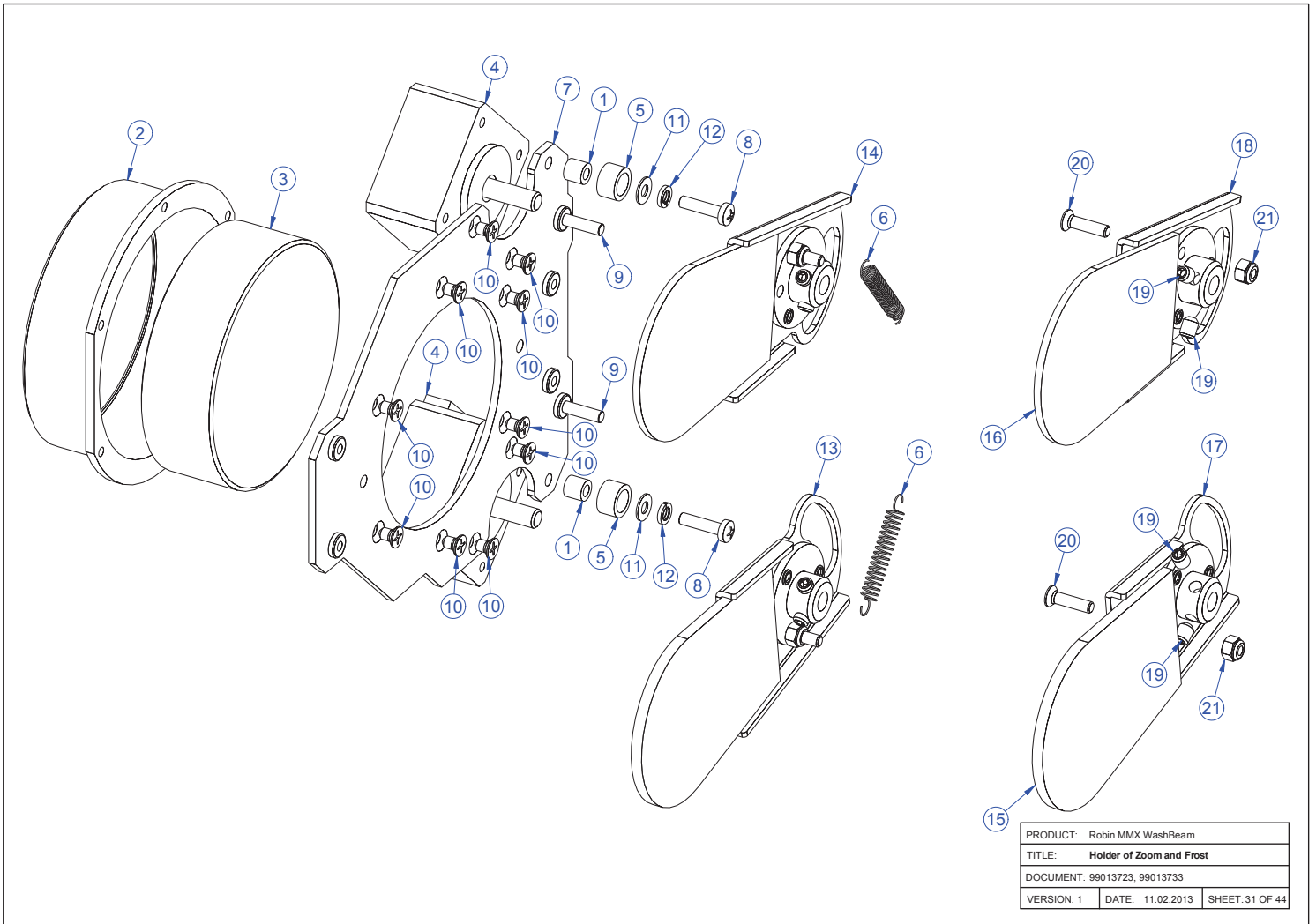
PRODUCT: Robin MMX WashBeam		
TITLE: Holder of optic		
DOCUMENT: 99013728		
VERSION: 1	DATE: 11.02.2013	SHEET: 28 OF 44



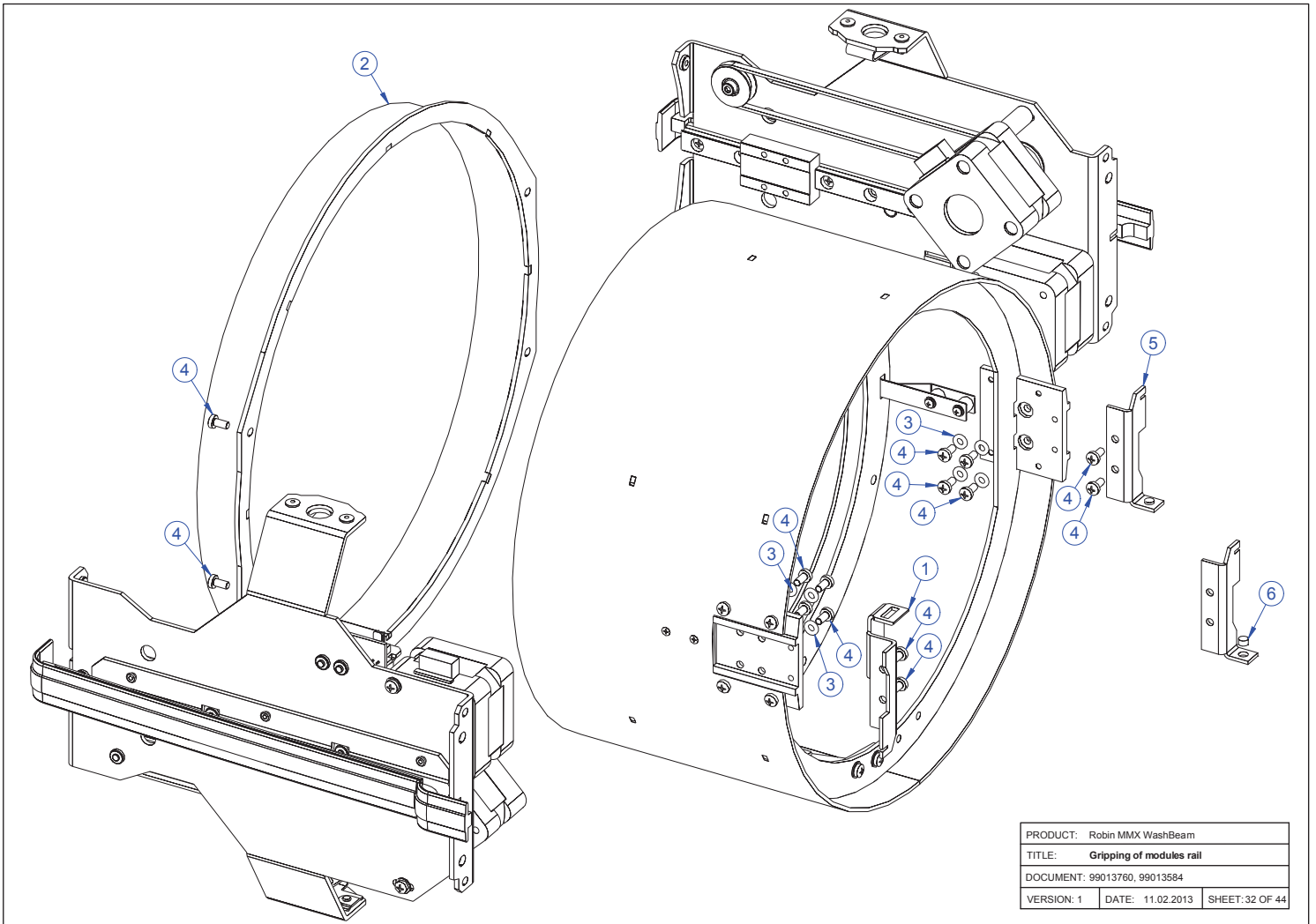
PRODUCT: Robin MMX WashBeam		
TITLE: Module of Zoom and Frost		
DOCUMENT: 99013733		
VERSION: 1	DATE: 11.02.2013	SHEET: 29 OF 44



PRODUCT: Robin MMX WashBeam		
TITLE: Module of spacer of optic		
DOCUMENT: 99013733		
VERSION: 1	DATE: 11.02.2013	SHEET: 30 OF 44

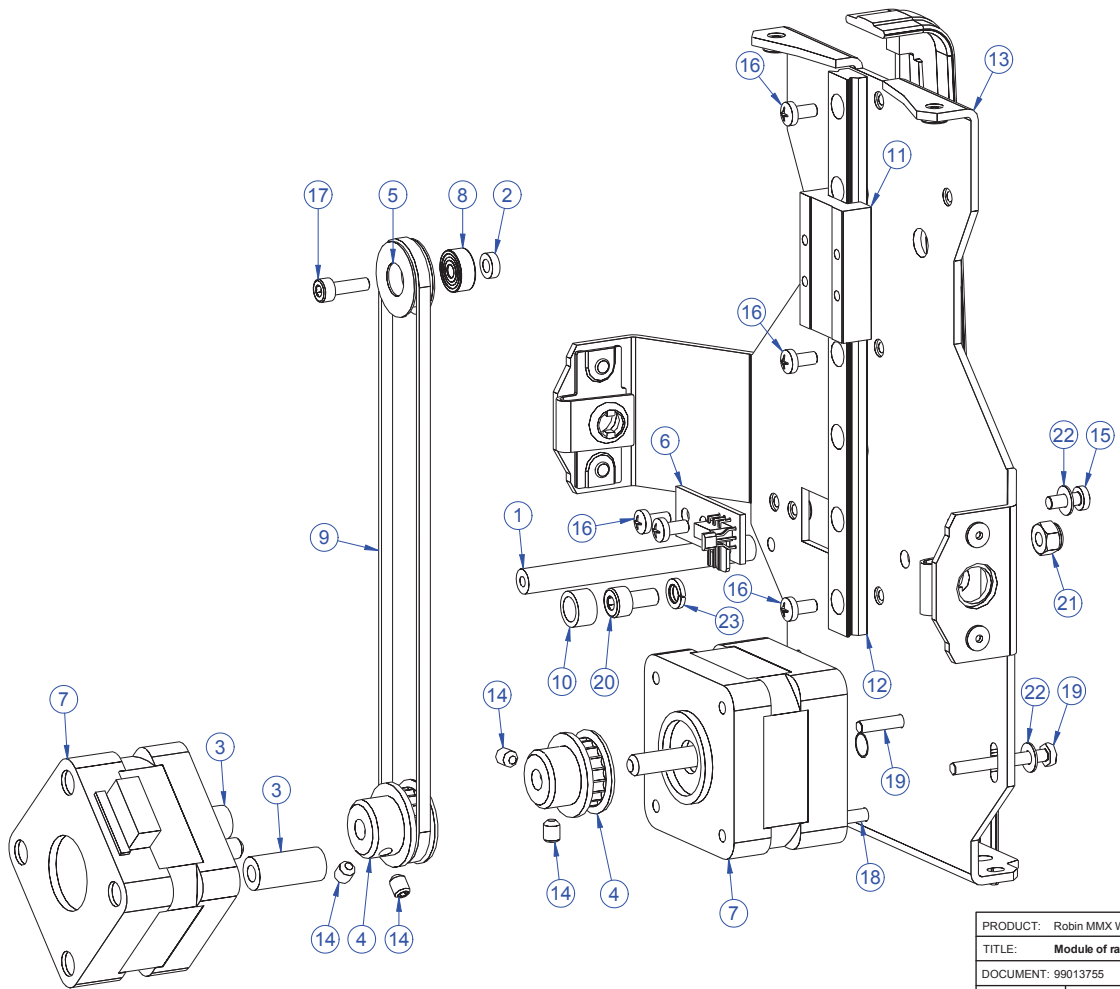


PRODUCT: Robin MMX WashBeam		
TITLE: Holder of Zoom and Frost		
DOCUMENT: 99013723, 99013733		
VERSION: 1	DATE: 11.02.2013	SHEET: 31 OF 44

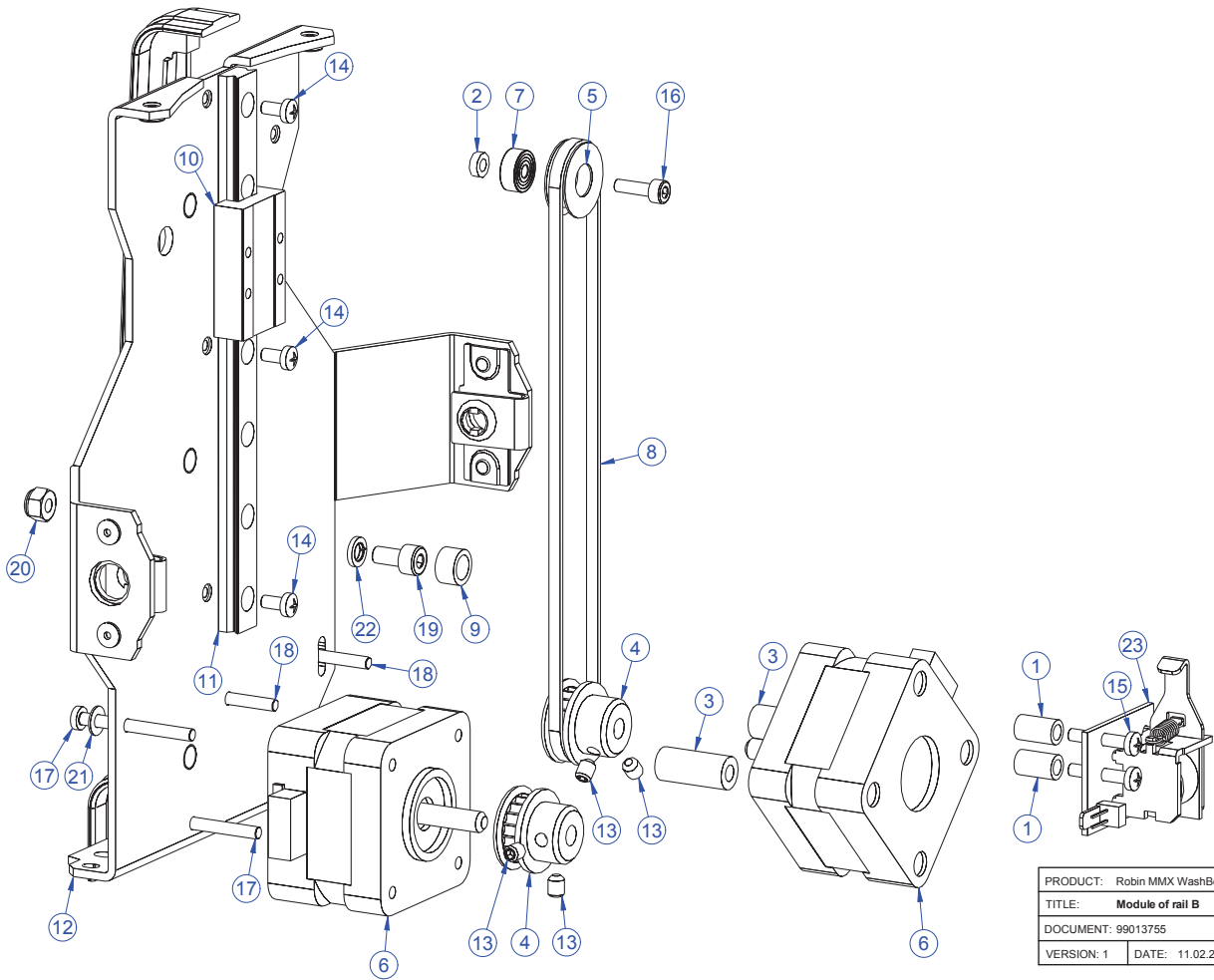


PRODUCT: Robin MMX WashBeam		
TITLE: Gripping of modules rail		
DOCUMENT: 99013760, 99013584		
VERSION: 1	DATE: 11.02.2013	SHEET: 32 OF 44

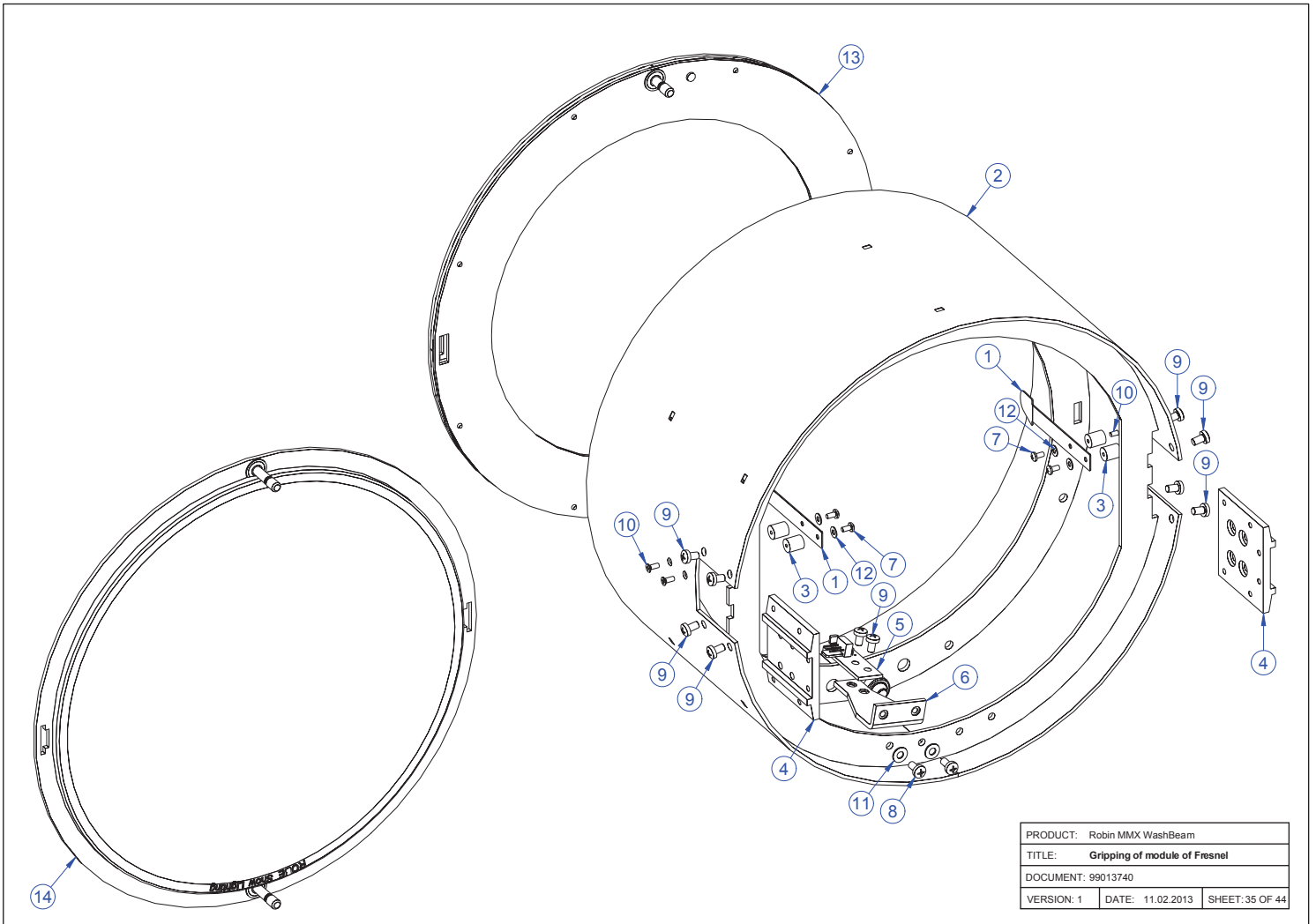




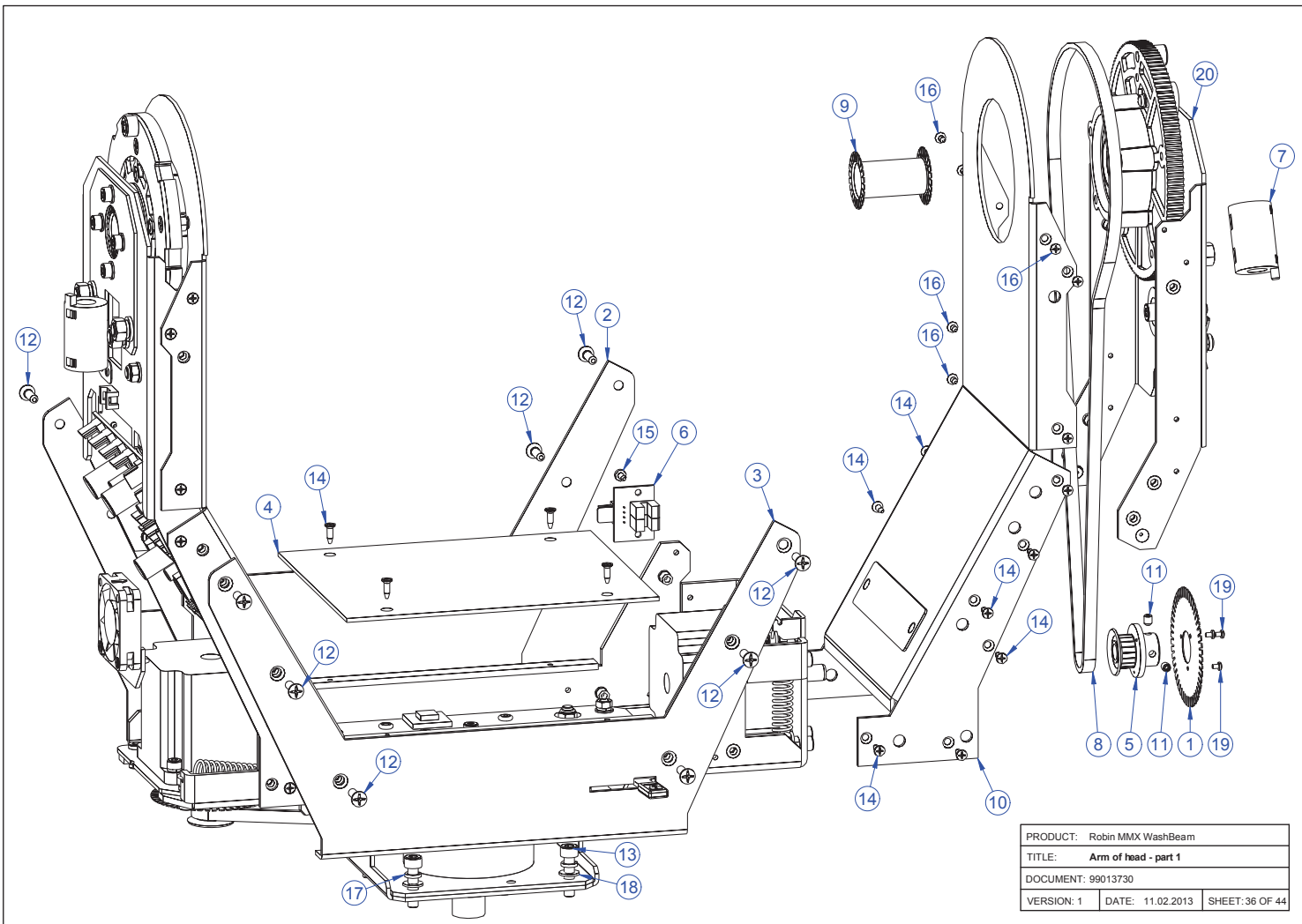
PRODUCT: Robin MMX WashBeam		
TITLE: Module of rail A		
DOCUMENT: 99013755		
VERSION: 1	DATE: 11.02.2013	SHEET: 33 OF 44



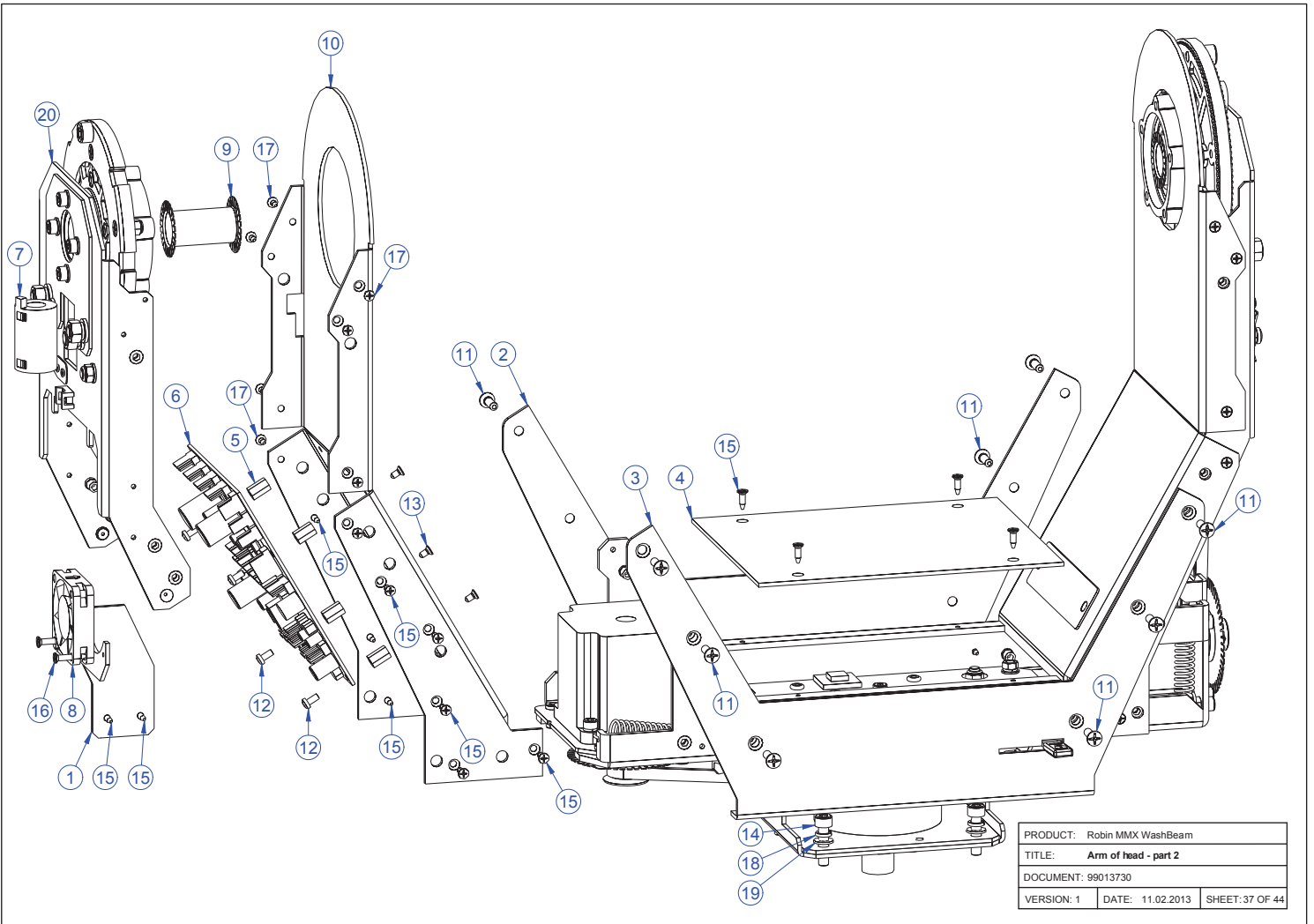
PRODUCT: Robin MMX WashBeam		
TITLE: Module of rail B		
DOCUMENT: 99013755		
VERSION: 1	DATE: 11.02.2013	SHEET: 34 OF 44

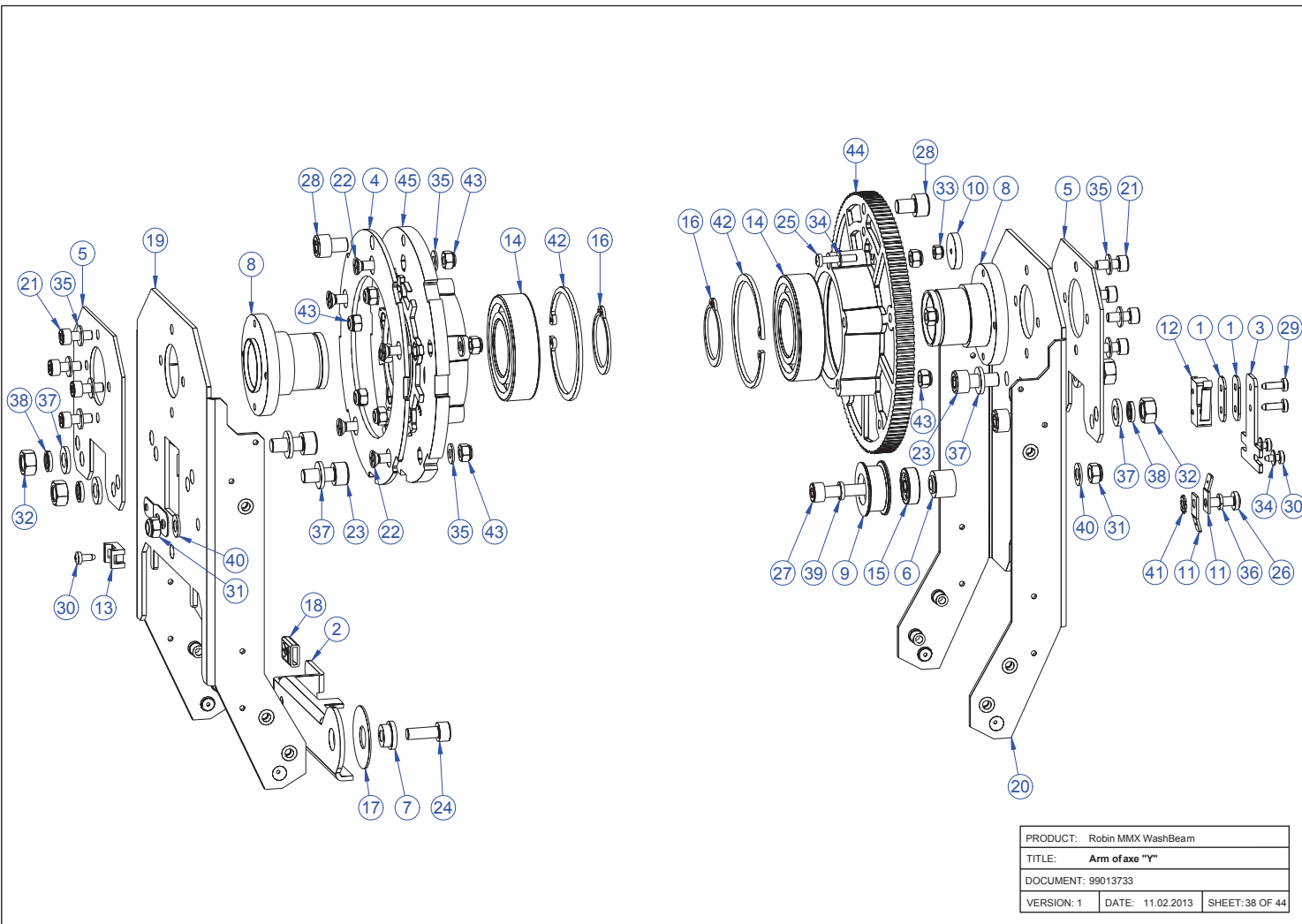


PRODUCT: Robin MMX WashBeam		
TITLE: Gripping of module of Fresnel		
DOCUMENT: 99013740		
VERSION: 1	DATE: 11.02.2013	SHEET: 35 OF 44

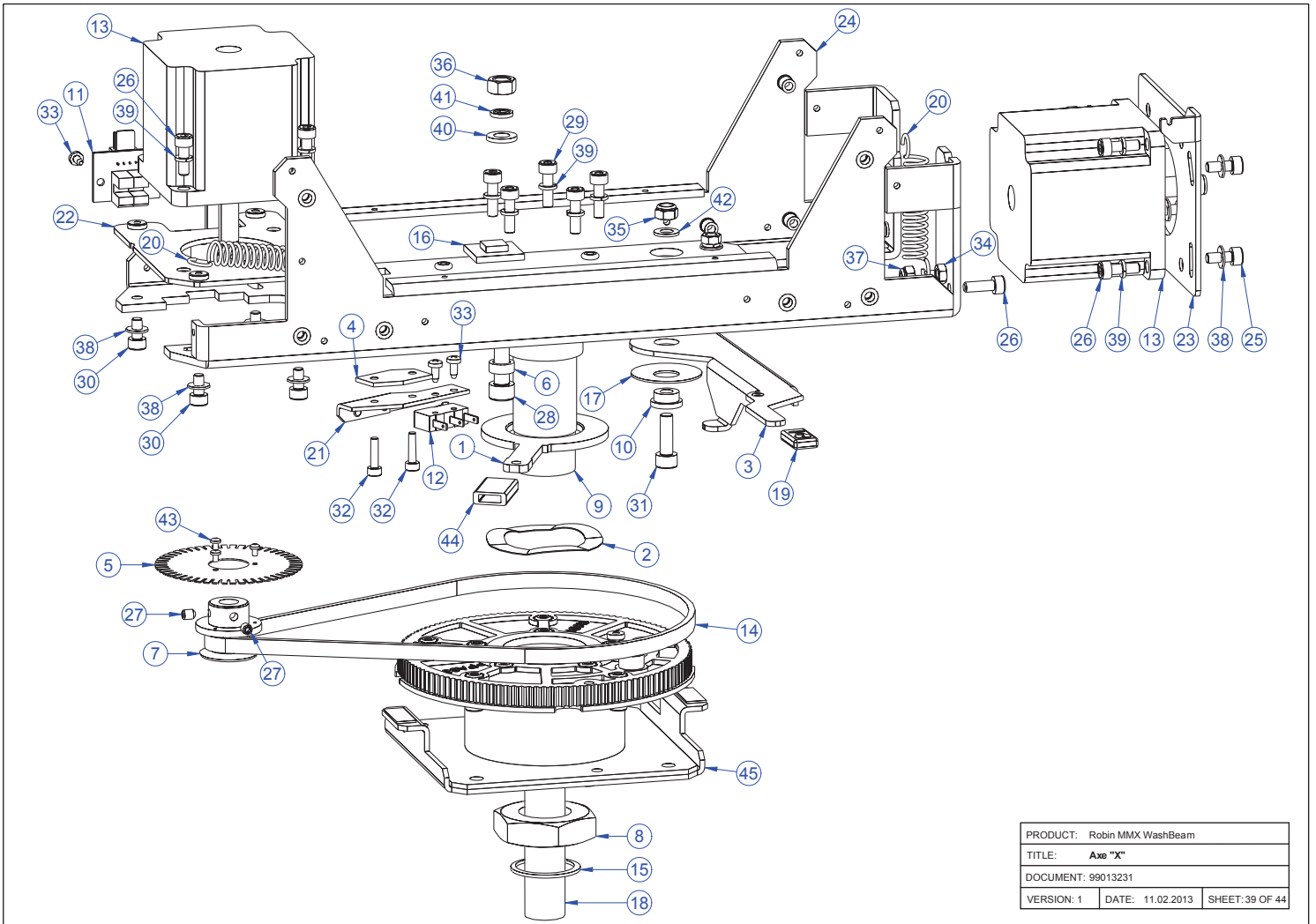


PRODUCT: Roblin MMX WashBeam		
TITLE: Arm of head - part 1		
DOCUMENT: 99013730		
VERSION: 1	DATE: 11.02.2013	SHEET: 36 OF 44

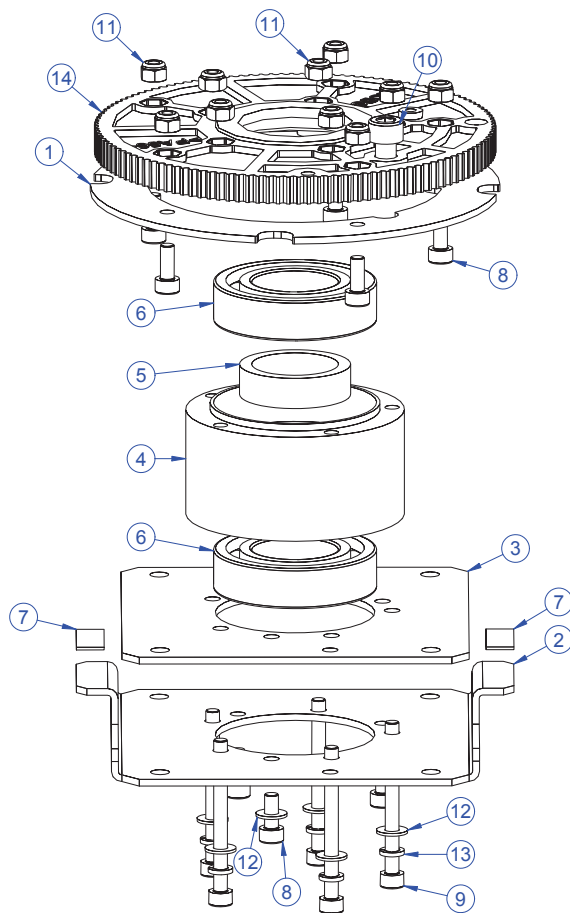




PRODUCT: Robin MMX WashBeam		
TITLE: Arm of axe "Y"		
DOCUMENT: 99013733		
VERSION: 1	DATE: 11.02.2013	SHEET: 38 OF 44

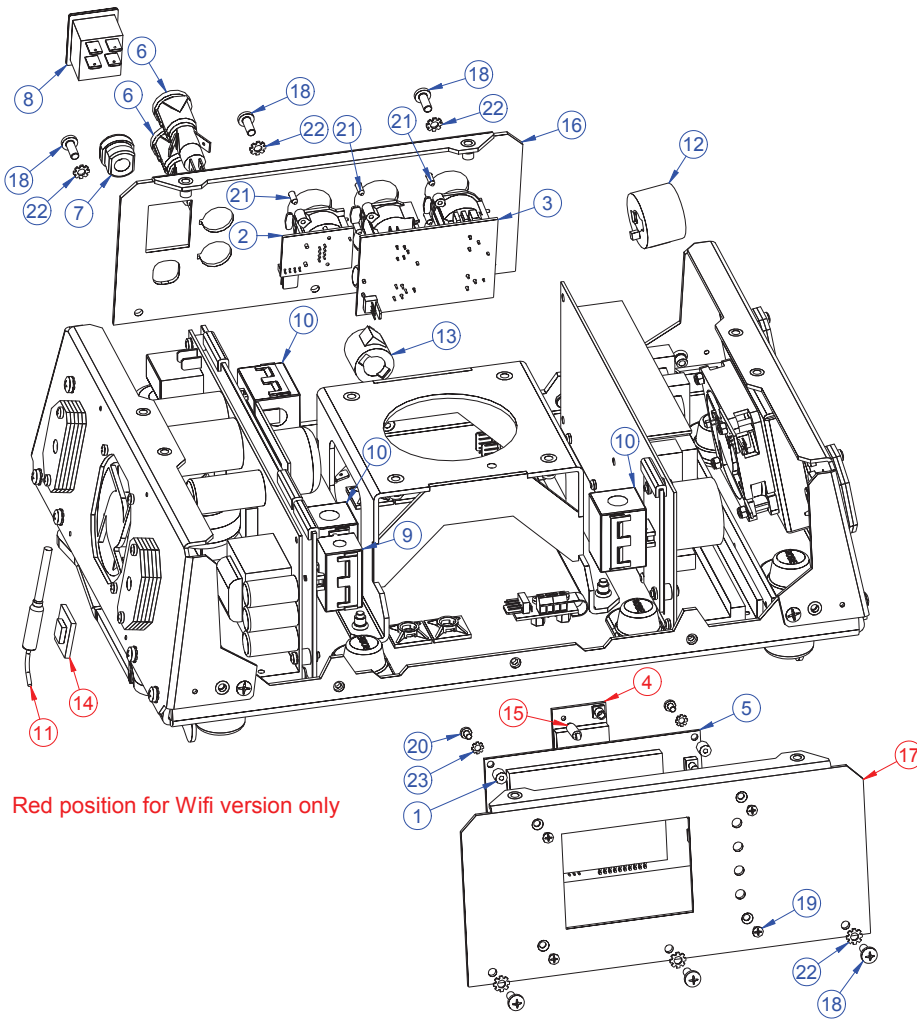


PRODUCT: Robin MMX WashBeam		
TITLE: Axe "X"		
DOCUMENT: 99013231		
VERSION: 1	DATE: 11.02.2013	SHEET: 39 OF 44



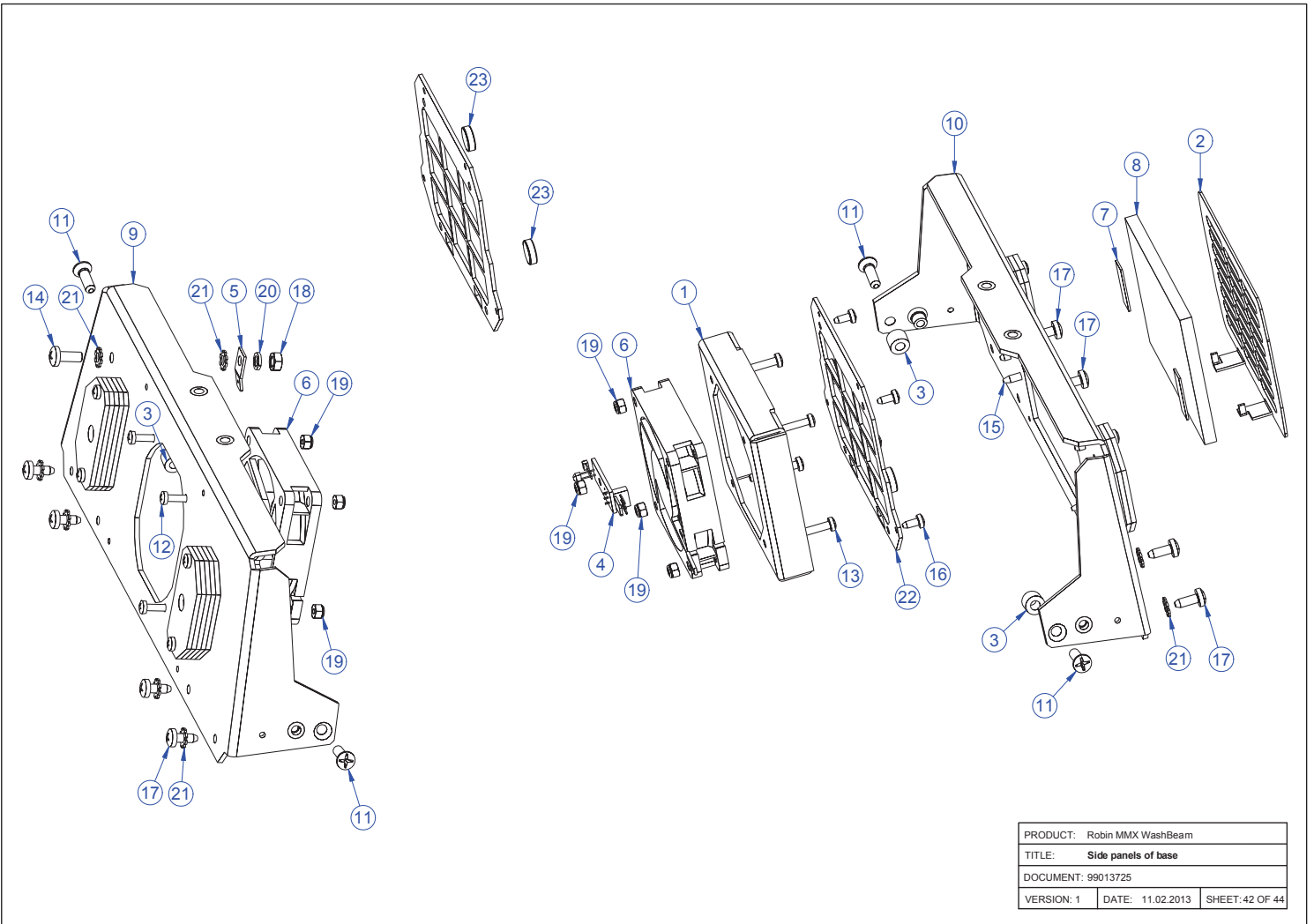
PRODUCT: Robin MMX WashBeam		
TITLE: Holder of toothwheel		
DOCUMENT: 99013229		
VERSION: 1	DATE: 11.02.2013	SHEET: 40 OF 44



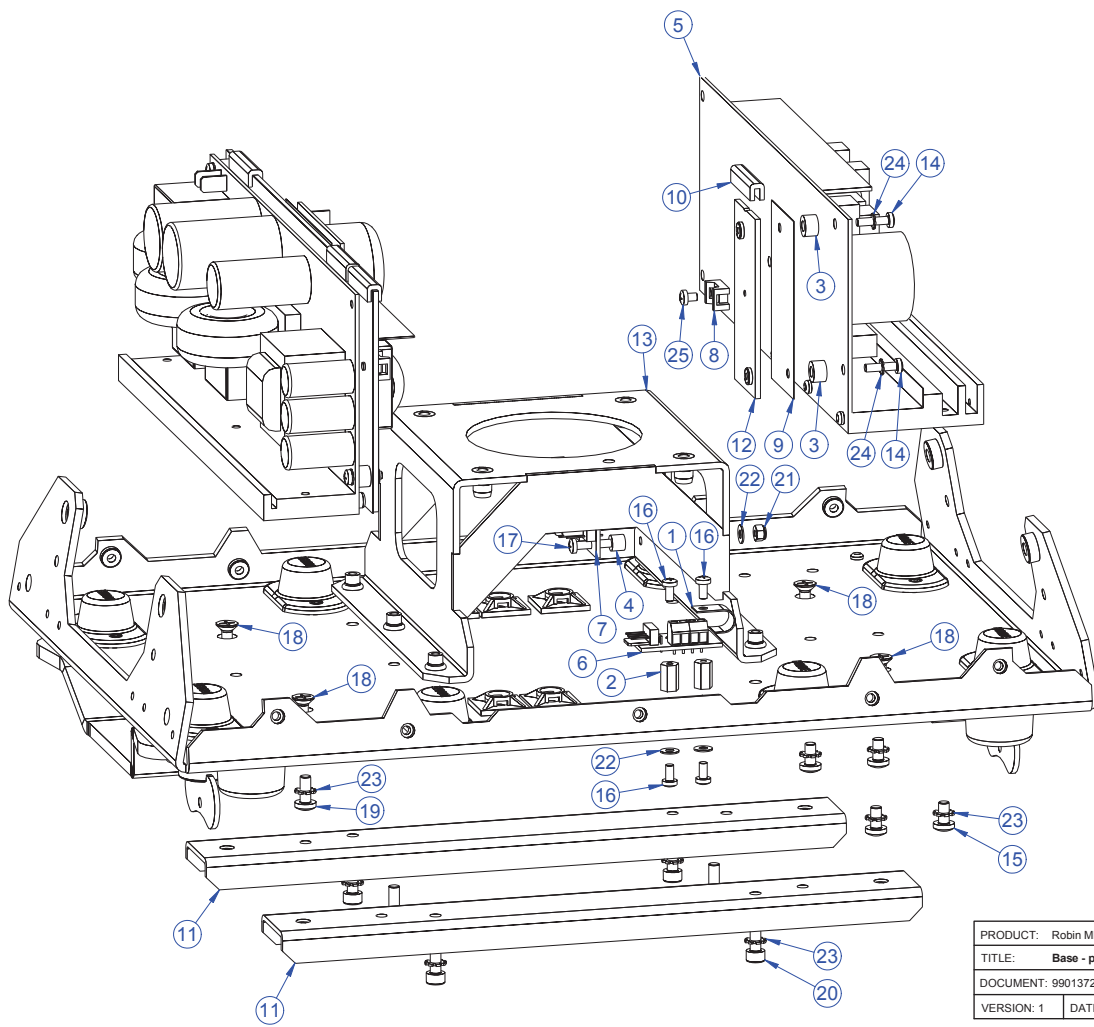


Red position for Wifi version only

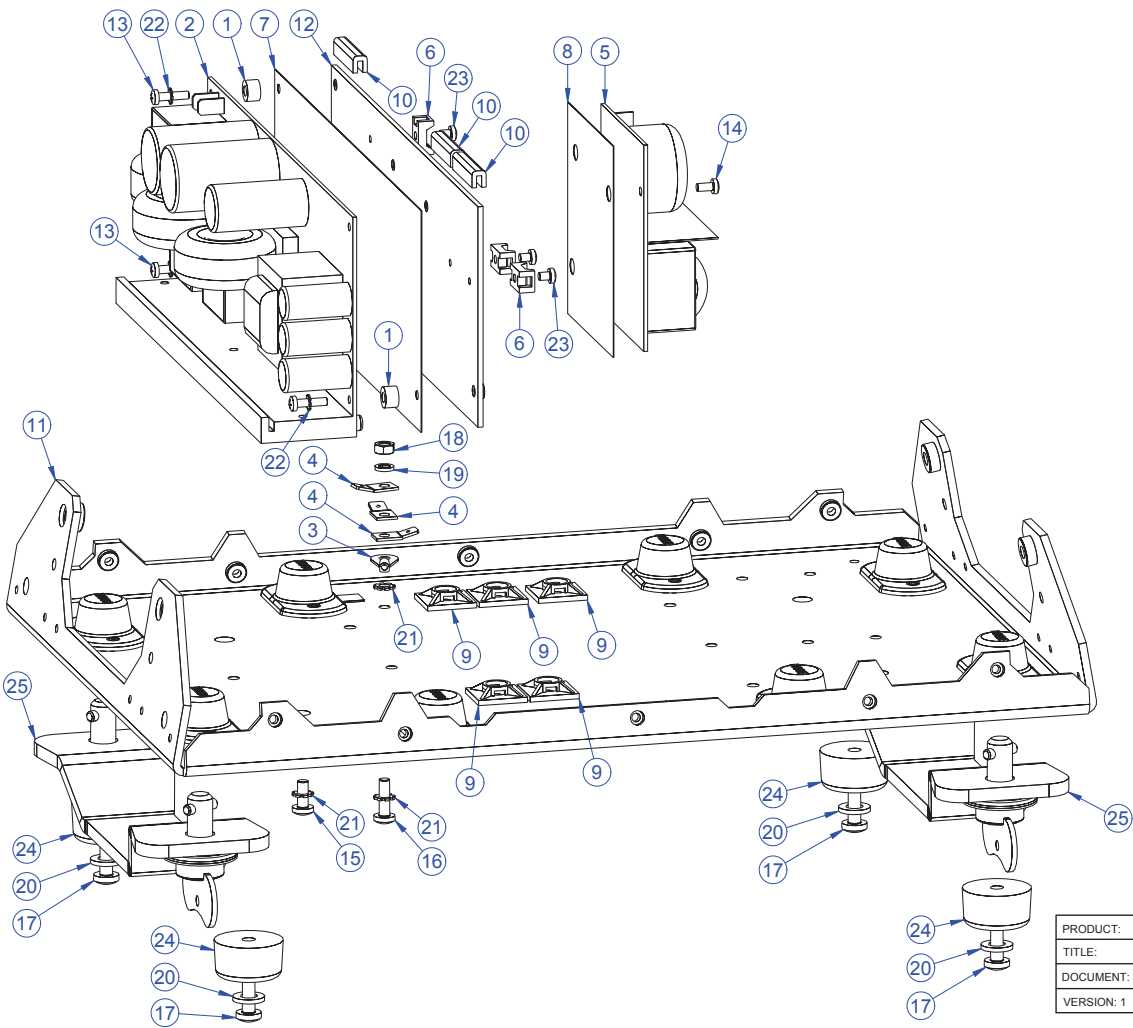
PRODUCT: Robin MMX WashBeam		
TITLE: Front and rear panel of base		
DOCUMENT: 99013792		
VERSION: 1	DATE: 11.02.2013	SHEET: 41 OF 44



PRODUCT: Robin MMX WashBeam		
TITLE: Side panels of base		
DOCUMENT: 99013725		
VERSION: 1	DATE: 11.02.2013	SHEET: 42 OF 44



PRODUCT: Robin MMX WashBeam		
TITLE: Base - part 1		
DOCUMENT: 99013725		
VERSION: 1	DATE: 11.02.2013	SHEET: 43 OF 44



PRODUCT: Robin MMX WashBeam		
TITLE: Base - part 2		
DOCUMENT: 99013725		
VERSION: 1	DATE: 11.02.2013	SHEET: 44 OF 44